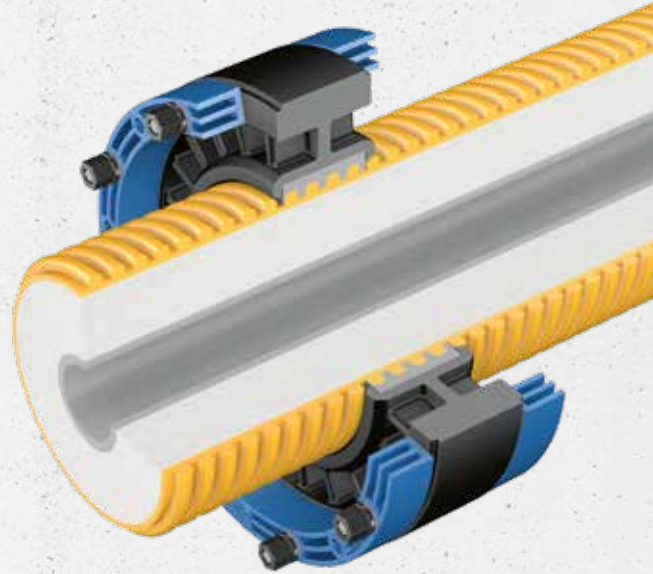


Curaflex Nova[®] Senso

NON-PRESSING WATER
PRESSING WATER

- Sealing of penetrations
- Use in on-site pipe sleeve or waterproof concrete core bore (white tank)
- Ideal for flexible pipes



PRODUCT ADVANTAGES

- With ITL system for optimal contact pressure – can also be installed with a cordless screwdriver
- With STS for the gentle sealing, thus ideal for flexible pre-insulated plastic pipes and flexible cable protection pipes
- Easy assembly thanks to precise dimensions
- Permanently sealed – no need to re-tension later (maintenance-free)
- Greater sealing performance of the gasket insert thanks to DOYMA-Grip

TECHNICAL DETAILS

- Certified under FHRK test regulation GE 101 in DN 200 without radial load as per 4.3.2 (no. G 30 322-2-8) Gas and water-tight
- Bending of medium pipes up to 8° is possible
- 45 mm sealing width

THE GASKET INSERT CONSISTS OF:

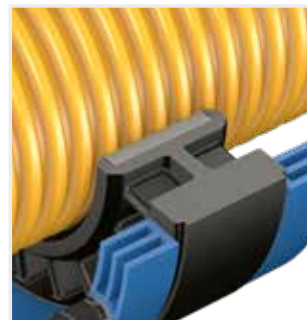
- Blue frame rings made of high-performance plastic
- Elastomer sealing ring, 45 mm wide, made of EPDM (DOYMA-Grip), with butyl insert
- ITL nuts
- STS: for gentle sealing
- A4 stainless steel screws



ACCESSORIES (OPTIONAL)*

- Aquagard core bore sealant
- Fixing tabs

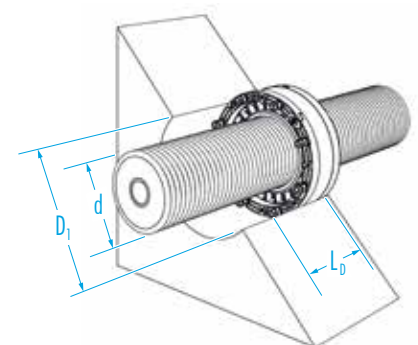
* see corresponding section



Before the gasket insert is tightened.



Curaflex Nova[®] Senso is tightened.



Curaflex Nova® Senso

Inner diameter of pipe sleeve/core bore D _i [DN in mm]	Outer diameter of pipe/cable d [mm]	Article number
150 (149–153)	74–76	1 84 0 075 150 4 0
	89–91	1 84 0 090 150 4 0
	109–111	1 84 0 110 150 4 0
200 (199–203)	109–111	1 84 0 110 200 4 0
	124–126	1 84 0 125 200 4 0
	139–141	1 84 0 140 200 4 0
	159–161	1 84 0 160 200 4 0
250 (249–253)	159–161	1 84 0 160 250 4 0
	174–176	1 84 0 175 250 4 0
	181–183	1 84 0 182 250 4 0
	199–201	1 84 0 200 250 4 0

L₀ (max. design length) [mm]: 105