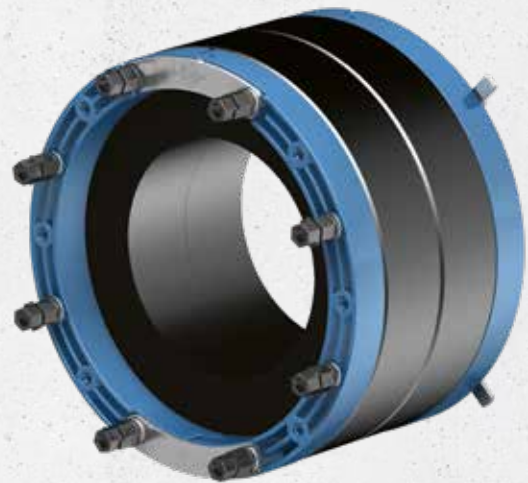




Curaflex Nova[®] Uno/wide

- NON-PRESSING WATER
- PRESSING WATER

- Sealing of penetrations
- Use in **waterproof concrete core bore** (white tank)
- Ideal for **twin/element walls**



PRODUCT ADVANTAGES

- With ITL system for optimal contact pressure – can also be installed with a cordless screwdriver
- Easy assembly thanks to precise dimensions
- Permanently sealed – no need to re-tension later (maintenance-free)
- Greater sealing performance of the gasket insert thanks to DOYMA-Grip
- Wide rubber seal covers prefabricated concrete shell and core concrete
- For retrofitting around existing pipes
- With quick release for safe and secure closure
- Clear positioning thanks to fixing tabs (included in the scope of delivery)

TECHNICAL DETAILS

- Certified under FHRK test regulation GE 101 (no. G 30 322-2-5)
- Gas and water-tight
- Bending of medium pipes up to 8° is possible
- Can accommodate axial movements
- 80 mm sealing width

THE GASKET INSERT CONSISTS OF:

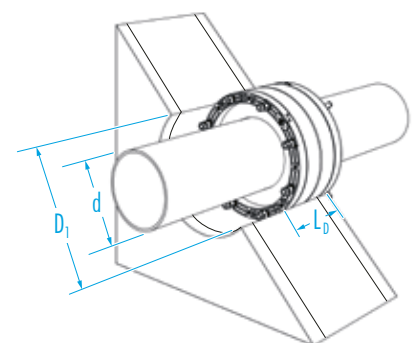
- V4A stainless steel hinge bracket
- ITL nuts
- A4 stainless steel screws
- 4 fixing tabs including V2A stainless steel screws



ACCESSORIES (OPTIONAL)*

- Aquagard core bore sealant
- ITL nut set

* see corresponding section



Curaflex Nova® Uno/wide

Inner diameter of pipe sleeve/core bore D _i [DN in mm]	Outer diameter of pipe/cable d [mm]	Article number
80 (79–83)	5–8	1 88 4 008 080 4 0
	9–12	1 88 4 012 080 4 0
	13–16	1 88 4 015 080 4 0
	17–20	1 88 4 020 080 4 0
	21–24	1 88 4 022 080 4 0
	25–29	1 88 4 025 080 4 0
	30–35	1 88 4 032 080 4 0
	36–40	1 88 4 040 080 4 0
100 (99–104)	5–8	1 88 4 008 100 4 0
	9–12	1 88 4 012 100 4 0
	13–16	1 88 4 015 100 4 0
	17–20	1 88 4 020 100 4 0
	21–24	1 88 4 022 100 4 0
	25–29	1 88 4 025 100 4 0
	30–35	1 88 4 032 100 4 0
	40–45	1 88 4 040 100 4 0
	46–52	1 88 4 050 100 4 0
	53–57	1 88 4 056 100 4 0
	58–63	1 88 4 063 100 4 0
	150 (149–153)	63–68
73–78		1 88 4 075 150 4 0
87–92		1 88 4 090 150 4 0
98–104		1 88 4 098 150 4 0
105–112		1 88 4 110 150 4 0
200 (199–203)	108–113	1 88 4 110 200 4 0
	114–118	1 88 4 118 200 4 0
	124–128	1 88 4 125 200 4 0
	132–135	1 88 4 135 200 4 0
	139–144	1 88 4 140 200 4 0
	145–150	1 88 4 148 200 4 0
	154–160	1 88 4 160 200 4 0
250 (249–253)	158–161	1 88 4 160 250 4 0
	162–163	1 88 4 163 250 4 0
	164–169	1 88 4 168 250 4 0
	170–174	1 88 4 170 250 4 0
	175–180	1 88 4 180 250 4 0
	198–201	1 88 4 200 250 4 0
300 (299–303)	198–201	1 88 4 200 300 4 0
	209–212	1 88 4 210 300 4 0
	215–220	1 88 4 219 300 4 0
	221–225	1 88 4 225 300 4 0

L₀ (max. design length) [mm]: 140