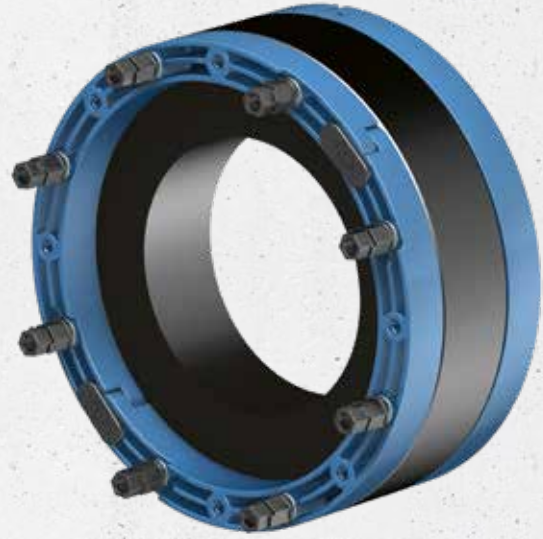


Curaflex Nova[®] Uno

NON-PRESSING WATER
PRESSING WATER

- Sealing of penetrations
- Use in on-site pipe sleeve or waterproof concrete core bore (white tank)



PRODUCT ADVANTAGES

- With ITL system for optimal contact pressure – can also be installed with a cordless screwdriver
- Easy assembly thanks to precise dimensions
- Permanently sealed – no need to re-tension later (maintenance-free)
- Greater sealing performance of the gasket insert thanks to DOYMA-Grip

TECHNICAL DETAILS

- Certified under FHRK test regulation GE 101 (no. G 30 322-2-5)
- Gas and water-tight
- Bending of medium pipes up to 8° is possible
- Can accommodate axial movements
- 40 mm sealing width

THE GASKET INSERT CONSISTS OF:

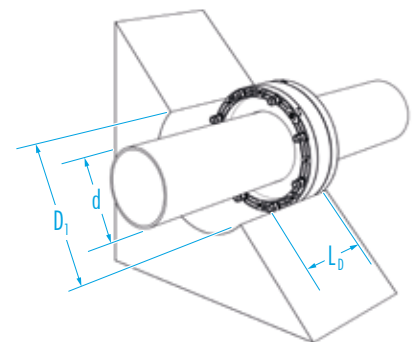
- Blue frame rings made of high-performance plastic
- Elastomer sealing ring, 40 mm wide, made of EPDM (DOYMA-Grip), optional NBR (fuel/oil-resistant)
- ITL nuts
- A4 stainless steel screws



ACCESSORIES (OPTIONAL)*

- Aquagard core bore sealant
- Fixing tabs
- ITL nut set

* see corresponding section



Curaflex Nova® Uno

Inner diameter of pipe sleeve/core bore D _i [DN in mm]	Outer diameter of pipe/cable d [mm]	Article number
80 (79–83)	5–8	1 88 1 008 080 4 0
	9–12	1 88 1 012 080 4 0
	13–16	1 88 1 015 080 4 0
	17–20	1 88 1 020 080 4 0
	21–24	1 88 1 022 080 4 0
	25–29	1 88 1 025 080 4 0
	30–35	1 88 1 032 080 4 0
	36–40	1 88 1 040 080 4 0
100 (99–104)	5–8	1 88 1 008 100 4 0
	9–12	1 88 1 012 100 4 0
	13–16	1 88 1 015 100 4 0
	17–20	1 88 1 020 100 4 0
	21–24	1 88 1 022 100 4 0
	25–29	1 88 1 025 100 4 0
	30–35	1 88 1 032 100 4 0
	40–45	1 88 1 040 100 4 0
	46–52	1 88 1 050 100 4 0
	53–57	1 88 1 056 100 4 0
	58–63	1 88 1 063 100 4 0
	63–68	1 88 1 063 150 4 0
150 (149–153)	73–78	1 88 1 075 150 4 0
	87–92	1 88 1 090 150 4 0
	98–104	1 88 1 098 150 4 0
	105–112	1 88 1 110 150 4 0
	108–113	1 88 1 110 200 4 0
200 (199–203)	114–118	1 88 1 118 200 4 0
	124–128	1 88 1 125 200 4 0
	132–135	1 88 1 135 200 4 0
	139–144	1 88 1 140 200 4 0
	145–150	1 88 1 148 200 4 0
	154–160	1 88 1 160 200 4 0
	158–161	1 88 1 160 250 4 0
250 (249–253)	162–163	1 88 1 163 250 4 0
	164–169	1 88 1 168 250 4 0
	170–174	1 88 1 170 250 4 0
	175–180	1 88 1 180 250 4 0
	198–201	1 88 1 200 250 4 0
	198–201	1 88 1 200 300 4 0
300 (299–303)	209–212	1 88 1 210 300 4 0
	215–220	1 88 1 219 300 4 0
	221–225	1 88 1 225 300 4 0

L₀ (max. design length) [mm]: 100