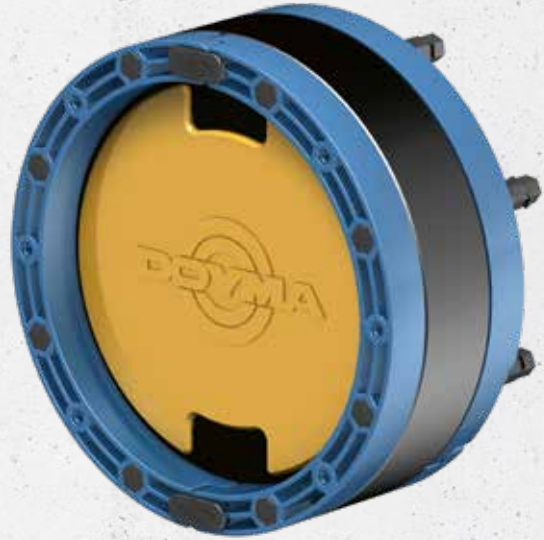


Curaflex Nova[®] Uno/0

NON-PRESSING WATER
PRESSING WATER

- Sealing of penetrations
- Use in on-site pipe sleeve or waterproof concrete core bore (white tank)
- Permanent plug seal



PRODUCT ADVANTAGES

- With ITL system for optimal contact pressure – can also be installed with a cordless screwdriver
- With removable sealing plugs, making it suitable for pipe routing
- Easy assembly thanks to precise dimensions
- Permanently sealed – no need to re-tension later (maintenance-free)
- Greater sealing performance of the gasket insert thanks to DOYMA-Grip

TECHNICAL DETAILS

- Certified under FHRK test regulation GE 101 (no. G 30 322-2-5)
- Gas and water-tight
- Plug seal, removable
- 40 mm sealing width

THE GASKET INSERT CONSISTS OF:

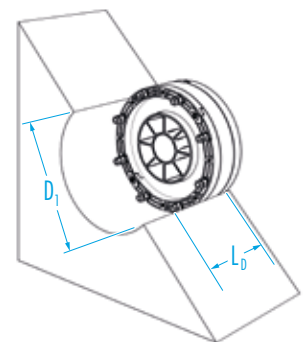
- Blue frame rings made of high-performance plastic
- Elastomer sealing ring, 40 mm wide, made of EPDM (DOYMA-Grip), optional NBR (fuel/oil-resistant)
- ITL nuts
- A4 stainless steel screws
- Plastic sealing plugs



ACCESSORIES (OPTIONAL)*

- Aquagard core bore sealant
- Fixing tabs
- ITL nut set

* see corresponding section



Curaflex Nova® Uno/0

Inner diameter of pipe sleeve/core bore D _i [DN in mm]	Outer diameter of pipe/cable [mm]*	Article number
80 (79–83)	30–35	1 88 1 000 080 4 0
100 (99–104)	30–35	1 88 1 000 100 4 0
150 (149–153)	62–63	1 88 1 000 150 4 0
200 (199–203)	108–112	1 88 1 000 200 4 0
250 (249–253)	158–161	1 88 1 000 250 4 0
300 (299–303)	198–201	1 88 1 000 300 4 0

L₀ (max. design length) [mm]: 100

*Suitable for pipe routing after sealing plug is removed.