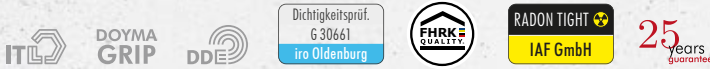


Curaflex Nova® Multi

NON-PRESSING WATER
PRESSING WATER

- Sealing of penetrations
- Use in on-site pipe sleeve or waterproof concrete core bore (white tank)
- High variability



PRODUCT ADVANTAGES

- With ITL system for optimal contact pressure – can also be installed with a cordless screwdriver
- With DDE, modular gasket insert, thus high variability
- Reversible adaptability to the media pipe
- Easy assembly thanks to precise dimensions, large sealing areas
- Permanently sealed – no need to re-tension later (maintenance-free)
- Integrated plug seal, easy to assign later
- Greater sealing performance of the gasket insert thanks to DOYMA-Grip

TECHNICAL DETAILS

- Certified under FHRK test regulation GE 101 without radial load as per 4.3.2 (no. G 30 322-2-3)
- Gas and water-tight
- Bending of medium pipes up to 8° is possible
- Can accommodate axial movements
- 45 mm sealing width
- DN 100 plugged sealing and from 20–63 mm
- DN 200 plugged sealing and from 108–160 mm

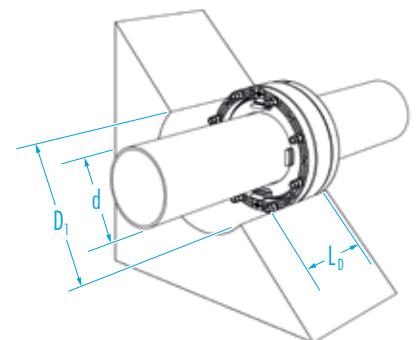
THE GASKET INSERT CONSISTS OF:

- Blue frame rings made of high-performance plastic
- Elastomer sealing rings, 45 mm wide, made of EPDM (DOYMA-Grip)
- DDE modules in black and orange
- ITL nuts
- A4 stainless steel screws

ACCESSORIES (OPTIONAL)*

- Aquagard core bore sealant
- Fixing tabs
- ITL nut set

* see corresponding section



Curaflex Nova® Multi

Inner diameter of pipe sleeve/core bore D _i [DN in mm]	Outer diameter of pipe/cable d [mm]	Article number
100 (99–104)	plugged	1 88 0 000 100 4 0
	20–25	
	28–35	
	40–45	
	46–52	
	57–63	
200 (199–203)	plugged	1 88 0 000 200 4 0
	108–112	
	113–118	
	124–128	
	131–135	
	139–144	
	156–160	

L₀ (max. design length) [mm]: 105