


Curaflex® C/M

 PRESSING WATER

- Sealing of penetrations
- Use in **on-site pipe sleeve** or **waterproof concrete core bore** (white tank)
- For **multiple pipes**



PRODUCT ADVANTAGES

- Easy assembly thanks to precise dimensions (large standard range)
- Permanently sealed – no need to re-tension later (maintenance-free)
- Greater sealing performance of the gasket insert thanks to DOYMA-Grip
- System component, without cuts or divisions, with water-tight welded bolts

TECHNICAL DETAILS

- Certified under FHRK test regulation GE 101 (no. G 30 322-2-2)
- Gas and water-tight
- Bending of medium pipes up to 8° is possible
- Can accommodate axial movements
- Twin sealing

THE GASKET INSERT CONSISTS OF:

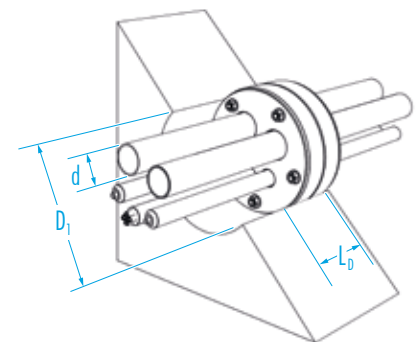
- **Frame rings:** steel rings, GGV triple corrosion protection coating; optionally made of stainless steel 1.4301 (V2A) or 1.4571/1.4404 (V4A)
- **Rubber seal:** elastomer, 2 × 27 mm thick EPDM seals (DOYMA-Grip), optional EPDM-TW, NBR (fuel/oil-resistant) or silicone (high temperature-resistant) or FPM (chemical-resistant)
- 3 mm thick orange centre ring (up to KB/DN 350)



ACCESSORIES (OPTIONAL)*

- Aquagard core bore sealant

* see corresponding section



Curaflex® C/M

Outer diameter of pipe/cable* d [mm]	Number of pipes	Inner diameter of pipe sleeve/core bore D ₁ [DN in mm]
1-14	1-2	50 (49-53)
1-26	1-2	80 (79-83)
1-23	1-3	
1-24	1-4	
1-16	1-7	
1 × 4-32 1 × 1-14	1-2	
4 × 4-28 1 × 1-12	1-5	100 (99-104)
1-21	1-7	
4-37	1-2	
4-33	1-3	
1 × 4-46 1 × 1-16	1-2	
4-36	1-4	125 (124-128)
2 × 4-34 2 × 4-42	1-4	
4-28	1-7	
4-41	1-3	
2 × 23-51 2 × 8-36	1-4	150 (149-153)
2 × 30-58 2 × 13-41	1-4	
4 × 22-50 1 × 4-16	1-5	
1-20	1-13	
6 × 8-36 2 × 4-16	1-8	
43-71	1-3	200 (199-204)
5 × 23-51 1 × 4-31	1-6	
2 × 28-56 2 × 54-82	1-4	
40-69	1-4	
4-36	1-10	
4-26	1-15	
8 × 13-41 4 × 4-30	1-12	
4-26	1-20	250 (247-253)
12-40	1-8	
10 × 16-44 5 × 4-36	1-15	

L₁ (max. design length) [mm]: 90

*The precise outer diameter and number of pipes must be specified in your order. No article numbers. Further dimensions available upon request.

