

Curaflex® C/M/T

 PRESSING WATER

- Sealing of penetrations
- Use in **on-site pipe sleeve** or **waterproof concrete core bore** (white tank)
- For **multiple pipes**
- Split version, for **pipes that are already installed**



DOYMA
GRIP



25
years
guarantee

PRODUCT ADVANTAGES

- Easy assembly thanks to precise dimensions (large standard range)
- Permanently sealed – no need to re-tension later (maintenance-free)
- Greater sealing performance of the gasket insert thanks to DOYMA-Grip
- Water-tight welded bolts
- For retrofitting around existing pipes

TECHNICAL DETAILS

- Certified under FHRK test regulation GE 101 (no. G 30 322-2-2)
- Gas and water-tight
- Bending of medium pipes up to 8° is possible
- Can accommodate axial movements
- Twin sealing
- Split version

THE GASKET INSERT CONSISTS OF:

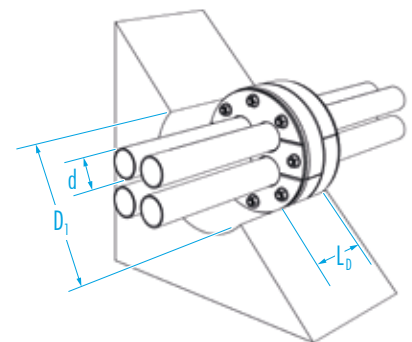
- **Split frame rings:** steel rings, GGV triple corrosion protection coating; optionally made of stainless steel 1.4301 (V2A) or 1.4571/1.4404 (V4A)
- **Split rubber seal:** elastomer, 2 × 27 mm thick EPDM seals (DOYMA-Grip), optional EPDM-TW, NBR (fuel/oil-resistant) or silicone (high temperature-resistant) or FPM (chemical-resistant)
- 3 mm thick orange centre ring (up to KB/DN 350)



ACCESSORIES (OPTIONAL)*

- Aquagard core bore sealant

* see corresponding section



Curaflex® C/M/T

Outer diameter of pipe/cable* d [mm]	Number of pipes	Inner diameter of pipe sleeve/core bore D _i [DN in mm]
1–21	1–3	80 (79–83)
4–37	1–2	100 (99–104)
4–26	1–4	
1 × 18–36/2 × 8–16	1–3	
1 × 8–22/4 × 8–16	1–5	
4–32	1–4	125 (124–128)
25–41	1–3	150 (149–153)
2 × 2–46/2 × 2–36	1–4	
15–31	1–9	200 (199–204)

L₀ (max. design length) [mm]: 90

*The precise outer diameter and number of pipes must be specified in your order.
No article numbers. Further material combinations and dimensions available upon request.