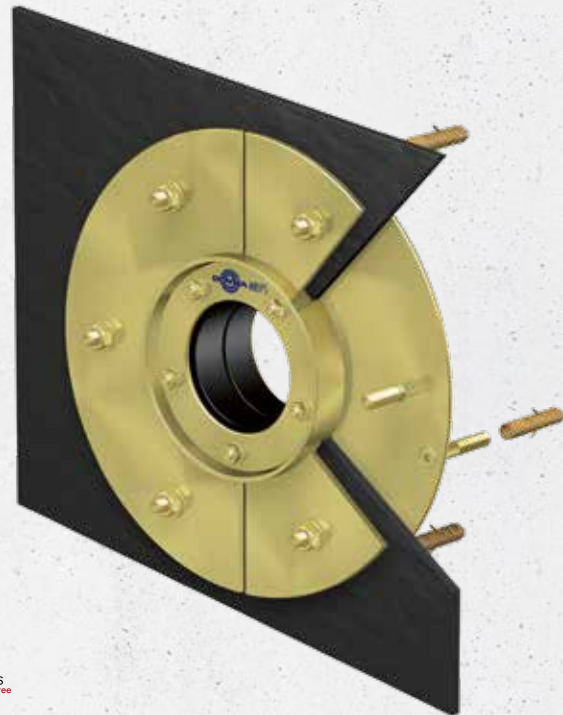


Curaflex® C/2/SD/6

PRESSING WATER

- Sealing of penetrations
- Use in **on-site pipe sleeve** or **concrete core bore**
- For use with **tanking membranes** or **thick coating** (black tank)
- With **fixed and loose flange**



DOYMA
GRIP

DPS

Dichtigkeitsprüf.
22 1295 797-01
MPA NRW

Dichtigkeitsprüf.
PB 5.1/17-206-1
MfPA Leipzig

FHRK
QUALITY

RADON TIGHT
IAF GmbH

25
years
guarantee

PRODUCT ADVANTAGES

- Easy assembly thanks to precise dimensions, large sealing areas
- Permanently sealed – no need to re-tension later (maintenance-free)
- Greater sealing performance of the gasket insert thanks to DPS and DOYMA-Grip
- System component, without cuts or divisions, with water-tight welded bolts
- Integrated fixed and loose flange (loose flange split)

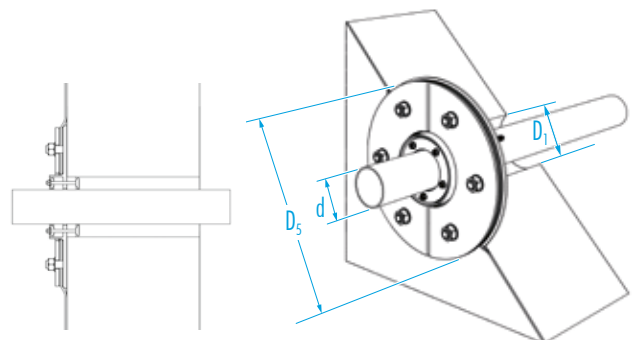
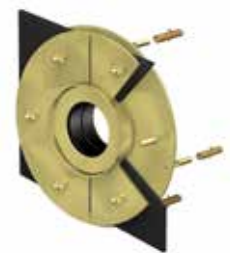
TECHNICAL DETAILS

- Certified under FHRK test regulation GE 101 (no. G 30 322-2-2)
- With flanges in accordance with DIN 18195/DIN 18533
- Gas and water-tight
- Bending of medium pipes up to 8° is possible
- Can accommodate axial movements
- Mounting from the pressure-facing side
- Depending on the tanking membrane, installed with Curaflex® packings (1775) arranged on both sides where there is thin and hard film, or accessories where there is a thick coating (1776): sanding of the contact surfaces of the fixed/loose flange

THE GASKET INSERT CONSISTS OF:

- **Frame rings:** asymmetrically profiled steel rings (DPS to KB/DN 350), GGV triple corrosion protection coating; optionally made of stainless steel 1.4301 (V2A) or 1.4571/1.4404 (V4A)
- With integrated fixed and loose flange
- **Rubber seal:** elastomer, 2 × 27 mm thick EPDM seals (DOYMA-Grip), optional EPDM-TW, NBR (fuel/oil-resistant) or silicone (high temperature-resistant) or FPM (chemical-resistant)

Variant: Curaflex® F/2/SD/6 – properties as described above, but with mounting from the non-pressure-facing side ('dry side').



ACCESSORIES (OPTIONAL)*



- Curaflex® packings (1775) for thin, hard films
- Accessories for thick coating
- Punch for thick coating

* see corresponding section

Curaflex® C/2/SD/6

| Inner diameter of pipe sleeve/core bore D ₁ [DN in mm] | Outer diameter of pipe/cable d [mm] | Outer diameter of fixed flange D ₅ max. [mm] | GGV | GGV/sanded for thick | Accessories for plastic |
|---|-------------------------------------|---|--------------------|----------------------|-------------------------|
| | | | Article number | Article number | Article number |
| 80 (79–83) | 7 – 13 | 420 | 1 03 6 012 080 0 0 | 1 03 6 012 080 5 0 | 1 99 6 775 080 2 0 |
| | 14 – 21 | | 1 03 6 020 080 0 0 | 1 03 6 020 080 5 0 | |
| | 22 – 28 | | 1 03 6 025 080 0 0 | 1 03 6 025 080 5 0 | |
| | 29 – 35 | | 1 03 6 032 080 0 0 | 1 03 6 032 080 5 0 | |
| | 36 – 40 | | 1 03 6 040 080 0 0 | 1 03 6 040 080 5 0 | |
| 100 (99–104) | 41 – 45 | 440 | 1 03 6 042 100 0 0 | 1 03 6 042 100 5 0 | 1 99 6 775 100 2 0 |
| | 46 – 52 | | 1 03 6 050 100 0 0 | 1 03 6 050 100 5 0 | |
| | 53 – 57 | | 1 03 6 056 100 0 0 | 1 03 6 056 100 5 0 | |
| 125 (124–128) | 58 – 67 | 465 | 1 03 6 063 125 0 0 | 1 03 6 063 125 5 0 | 1 99 6 775 125 2 0 |
| | 68 – 77 | | 1 03 6 075 125 0 0 | 1 03 6 075 125 5 0 | |
| 150 (149–153) | 78 – 85 | 490 | 1 03 6 078 150 0 0 | 1 03 6 078 150 5 0 | 1 99 6 775 150 2 0 |
| | 86 – 94 | | 1 03 6 090 150 0 0 | 1 03 6 090 150 5 0 | |
| | 95 – 104 | | 1 03 6 098 150 0 0 | 1 03 6 098 150 5 0 | |
| 200 (199–204) | 105 – 115 | 540 | 1 03 6 110 200 0 0 | 1 03 6 110 200 5 0 | 1 99 6 775 200 2 0 |
| | 116 – 124 | | 1 03 6 118 200 0 0 | 1 03 6 118 200 5 0 | |
| | 125 – 135 | | 1 03 6 125 200 0 0 | 1 03 6 125 200 5 0 | |
| | 136 – 145 | | 1 03 6 140 200 0 0 | 1 03 6 140 200 5 0 | |
| 250 (247–253) | 146 – 156 | 590 | 1 03 6 148 250 0 0 | 1 03 6 148 250 5 0 | 1 99 6 775 250 2 0 |
| | 157 – 165 | | 1 03 6 160 250 0 0 | 1 03 6 160 250 5 0 | |
| | 166 – 172 | | 1 03 6 170 250 0 0 | 1 03 6 170 250 5 0 | |
| | 173 – 179 | | 1 03 6 175 250 0 0 | 1 03 6 175 250 5 0 | |
| | 180 – 186 | | 1 03 6 180 250 0 0 | 1 03 6 180 250 5 0 | |
| | 187 – 190 | | 1 03 6 190 250 0 0 | 1 03 6 190 250 5 0 | |
| 300 (297–304) | 191 – 197 | 640 | 1 03 6 196 300 0 0 | 1 03 6 196 300 5 0 | 1 99 6 775 300 2 0 |
| | 198 – 207 | | 1 03 6 200 300 0 0 | 1 03 6 200 300 5 0 | |
| | 208 – 215 | | 1 03 6 210 300 0 0 | 1 03 6 210 300 5 0 | |
| | 216 – 224 | | 1 03 6 222 300 0 0 | 1 03 6 222 300 5 0 | |
| | 225 – 233 | | 1 03 6 225 300 0 0 | 1 03 6 225 300 5 0 | |
| 350 (347–354) | 234 – 240 | 690 | 1 03 6 240 350 0 0 | 1 03 6 240 350 5 0 | 1 99 6 775 350 2 0 |
| | 241 – 249 | | 1 03 6 242 350 0 0 | 1 03 6 242 350 5 0 | |
| | 250 – 259 | | 1 03 6 250 350 0 0 | 1 03 6 250 350 5 0 | |
| | 260 – 269 | | 1 03 6 265 350 0 0 | 1 03 6 265 350 5 0 | |
| | 270 – 278 | | 1 03 6 273 350 0 0 | 1 03 6 273 350 5 0 | |
| | 279 – 288 | | 1 03 6 280 350 0 0 | 1 03 6 280 350 5 0 | |
| 400 (397–404) | 289 – 294 | 740 | 1 03 6 290 400 0 0 | 1 03 6 290 400 5 0 | 1 99 6 775 400 2 0 |
| | 295 – 300 | | 1 03 6 296 400 0 0 | 1 03 6 296 400 5 0 | |
| | 301 – 306 | | 1 03 6 306 400 0 0 | 1 03 6 306 400 5 0 | |
| | 307 – 311 | | 1 03 6 310 400 0 0 | 1 03 6 310 400 5 0 | |
| | 312 – 317 | | 1 03 6 315 400 0 0 | 1 03 6 315 400 5 0 | |
| | 318 – 322 | | 1 03 6 320 400 0 0 | 1 03 6 320 400 5 0 | |
| | 323 – 327 | | 1 03 6 323 400 0 0 | 1 03 6 323 400 5 0 | |
| | 328 – 333 | | 1 03 6 328 400 0 0 | 1 03 6 328 400 5 0 | |
| | 334 – 339 | | 1 03 6 336 400 0 0 | 1 03 6 336 400 5 0 | |
| | 340 – 344 | | 1 03 6 340 450 0 0 | 1 03 6 340 450 5 0 | |
| 450 (447–454) | 345 – 350 | 790 | 1 03 6 350 450 0 0 | 1 03 6 350 450 5 0 | 1 99 6 775 450 2 0 |
| | 351 – 356 | | 1 03 6 355 450 0 0 | 1 03 6 355 450 5 0 | |
| | 357 – 362 | | 1 03 6 362 450 0 0 | 1 03 6 362 450 5 0 | |
| | 363 – 368 | | 1 03 6 368 450 0 0 | 1 03 6 368 450 5 0 | |
| | 369 – 370 | | 1 03 6 370 450 0 0 | 1 03 6 370 450 5 0 | |
| | 371 – 375 | | 1 03 6 375 450 0 0 | 1 03 6 375 450 5 0 | |
| | 376 – 380 | | 1 03 6 380 450 0 0 | 1 03 6 380 450 5 0 | |
| | 381 – 386 | | 1 03 6 386 500 0 0 | 1 03 6 386 500 5 0 | |
| 500 (497–503) | 387 – 392 | 840 | 1 03 6 392 500 0 0 | 1 03 6 392 500 5 0 | 1 99 6 775 500 2 0 |
| | 393 – 397 | | 1 03 6 397 500 0 0 | 1 03 6 397 500 5 0 | |
| | 398 – 403 | | 1 03 6 400 500 0 0 | 1 03 6 400 500 5 0 | |
| | 404 – 409 | | 1 03 6 406 500 0 0 | 1 03 6 406 500 5 0 | |
| | 410 – 415 | | 1 03 6 410 500 0 0 | 1 03 6 410 500 5 0 | |
| | 416 – 420 | | 1 03 6 420 500 0 0 | 1 03 6 420 500 5 0 | |
| | 421 – 425 | | 1 03 6 425 500 0 0 | 1 03 6 425 500 5 0 | |
| | 426 – 430 | | 1 03 6 429 500 0 0 | 1 03 6 429 500 5 0 | |

L₃ (max. design depth) [mm]: 40 (for F/2/SD/6: 50 mm)

Further material combinations and dimensions available upon request.

