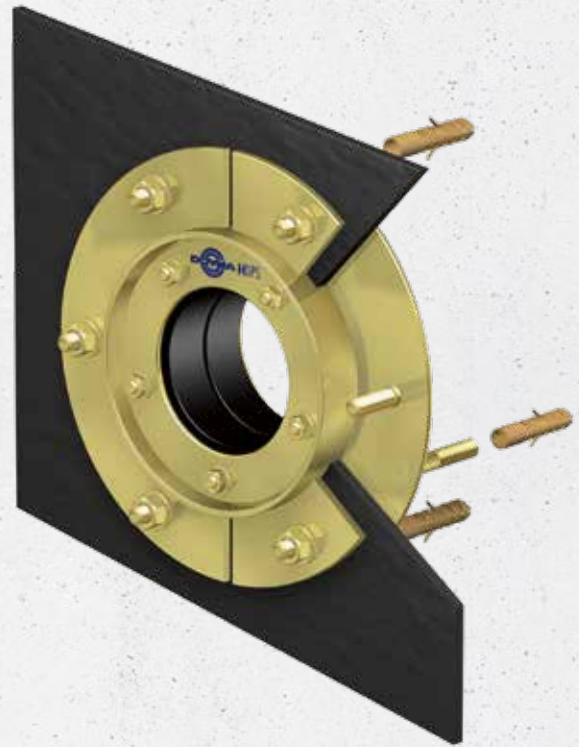


Curaflex® C/2/SD/5

NON-PRESSING WATER

- Sealing of penetrations
- Use in **on-site pipe sleeve** or **concrete core bore**
- For use with **tanking membranes** or **thick coating** (black tank)
- With **fixed and loose flange**



PRODUCT ADVANTAGES

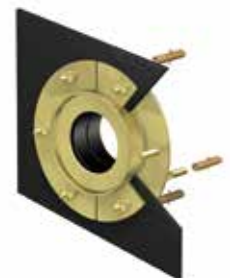
- Easy assembly thanks to precise dimensions, large sealing areas
- Permanently sealed – no need to re-tension later (maintenance-free)
- Greater sealing performance of the gasket insert thanks to DPS and DOYMA-Grip
- System component, without cuts or divisions, with water-tight welded bolts
- Integrated fixed and loose flange (loose flange split)

TECHNICAL DETAILS

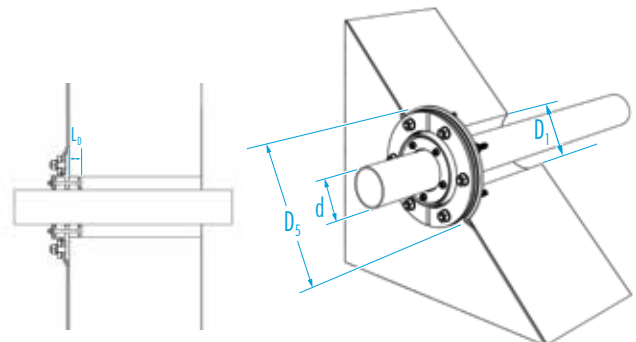
- Certified under FHRK test regulation GE 101 (no. G 30 322-2-1)
- With flanges in accordance with DIN 18195/DIN 18533
- Gas and water-tight
- Bending of medium pipes up to 8° is possible
- Can accommodate axial movements
- Mounting from the pressure-facing side
- Depending on the tanking membrane, installed with Curaflex® packings (1775) arranged on both sides where there is thin and hard film, or accessories where there is a thick coating (1776): sanding of the contact surfaces of the fixed/loose flange

THE GASKET INSERT CONSISTS OF:

- **Frame rings:** asymmetrically profiled steel rings (DPS to KB/DN 350), GGV triple corrosion protection coating; optionally made of stainless steel 1.4301 (V2A) or 1.4571/1.4404 (V4A)
- With integrated fixed and loose flange
- **Rubber seal:** elastomer, 2 × 27 mm thick EPDM seals (DOYMA-Grip), optional EPDM-TW, NBR (fuel/oil-resistant) or silicone (high temperature-resistant) or FPM (chemical-resistant)



Variant: Curaflex® F/2/SD/5 – properties as described above, gasket insert mounted from the 'dry side'



ACCESSORIES (OPTIONAL)*

- Curaflex® packings (1775) for thin, hard films
- Accessories for thick coating
- Punch for thick coating

* see corresponding section

Curaflex® C/2/SD/5

Inner diameter of pipe sleeve/core bore D ₁ [DN in mm]	Outer diameter of pipe/cable d [mm]	Outer diameter of fixed flange D ₅ max. [mm]	GGV	GGV/sanded for thick	Accessories for plastic tanking
			Article number	Article number	Article number
80 (79–83)	7 – 13	240	1 03 5 012 080 0 0	1 03 5 012 080 5 0	1 99 5 775 080 2 0
	14 – 21		1 03 5 020 080 0 0	1 03 5 020 080 5 0	
	22 – 28		1 03 5 025 080 0 0	1 03 5 025 080 5 0	
	29 – 35		1 03 5 032 080 0 0	1 03 5 032 080 5 0	
	36 – 40		1 03 5 040 080 0 0	1 03 5 040 080 5 0	
100 (99–104)	41 – 45	260	1 03 5 042 100 0 0	1 03 5 042 100 5 0	1 99 5 775 100 2 0
	46 – 52		1 03 5 050 100 0 0	1 03 5 050 100 5 0	
	53 – 57		1 03 5 056 100 0 0	1 03 5 056 100 5 0	
125 (124–128)	58 – 67	285	1 03 5 063 125 0 0	1 03 5 063 125 5 0	1 99 5 775 125 2 0
	68 – 77		1 03 5 075 125 0 0	1 03 5 075 125 5 0	
150 (149–153)	78 – 85	310	1 03 5 078 150 0 0	1 03 5 078 150 5 0	1 99 5 775 150 2 0
	86 – 94		1 03 5 090 150 0 0	1 03 5 090 150 5 0	
	95 – 104		1 03 5 098 150 0 0	1 03 5 098 150 5 0	
200 (199–204)	105 – 115	360	1 03 5 110 200 0 0	1 03 5 110 200 5 0	1 99 5 775 200 2 0
	116 – 124		1 03 5 118 200 0 0	1 03 5 118 200 5 0	
	125 – 135		1 03 5 125 200 0 0	1 03 5 125 200 5 0	
	136 – 145		1 03 5 140 200 0 0	1 03 5 140 200 5 0	
250 (247–253)	146 – 156	410	1 03 5 148 250 0 0	1 03 5 148 250 5 0	1 99 5 775 250 2 0
	157 – 165		1 03 5 160 250 0 0	1 03 5 160 250 5 0	
	166 – 172		1 03 5 170 250 0 0	1 03 5 170 250 5 0	
	173 – 179		1 03 5 175 250 0 0	1 03 5 175 250 5 0	
	180 – 186		1 03 5 180 250 0 0	1 03 5 180 250 5 0	
	187 – 190		1 03 5 190 250 0 0	1 03 5 190 250 5 0	
300 (297–304)	191 – 197	460	1 03 5 196 300 0 0	1 03 5 196 300 5 0	1 99 5 775 300 2 0
	198 – 207		1 03 5 200 300 0 0	1 03 5 200 300 5 0	
	208 – 215		1 03 5 210 300 0 0	1 03 5 210 300 5 0	
	216 – 224		1 03 5 222 300 0 0	1 03 5 222 300 5 0	
	225 – 233		1 03 5 225 300 0 0	1 03 5 225 300 5 0	
350 (347–354)	234 – 240	510	1 03 5 240 350 0 0	1 03 5 240 350 5 0	1 99 5 775 350 2 0
	241 – 249		1 03 5 242 350 0 0	1 03 5 242 350 5 0	
	250 – 259		1 03 5 250 350 0 0	1 03 5 250 350 5 0	
	260 – 269		1 03 5 265 350 0 0	1 03 5 265 350 5 0	
	270 – 278		1 03 5 273 350 0 0	1 03 5 273 350 5 0	
	279 – 288		1 03 5 280 350 0 0	1 03 5 280 350 5 0	
400 (397–404)	289 – 294	560	1 03 5 290 400 0 0	1 03 5 290 400 5 0	1 99 5 775 400 2 0
	295 – 300		1 03 5 296 400 0 0	1 03 5 296 400 5 0	
	301 – 306		1 03 5 306 400 0 0	1 03 5 306 400 5 0	
	307 – 311		1 03 5 310 400 0 0	1 03 5 310 400 5 0	
	312 – 317		1 03 5 315 400 0 0	1 03 5 315 400 5 0	
	318 – 322		1 03 5 320 400 0 0	1 03 5 320 400 5 0	
	323 – 327		1 03 5 323 400 0 0	1 03 5 323 400 5 0	
	328 – 333		1 03 5 328 400 0 0	1 03 5 328 400 5 0	
	334 – 339		1 03 5 336 400 0 0	1 03 5 336 400 5 0	
	340 – 344		1 03 5 340 450 0 0	1 03 5 340 450 5 0	
450 (447–454)	345 – 350	610	1 03 5 350 450 0 0	1 03 5 350 450 5 0	1 99 5 775 450 2 0
	351 – 356		1 03 5 355 450 0 0	1 03 5 355 450 5 0	
	357 – 362		1 03 5 362 450 0 0	1 03 5 362 450 5 0	
	363 – 368		1 03 5 368 450 0 0	1 03 5 368 450 5 0	
	369 – 370		1 03 5 370 450 0 0	1 03 5 370 450 5 0	
	371 – 375		1 03 5 375 450 0 0	1 03 5 375 450 5 0	
	376 – 380		1 03 5 380 450 0 0	1 03 5 380 450 5 0	
	381 – 386		1 03 5 386 500 0 0	1 03 5 386 500 5 0	
500 (497–503)	387 – 392	660	1 03 5 392 500 0 0	1 03 5 392 500 5 0	1 99 6 775 500 2 0
	393 – 397		1 03 5 397 500 0 0	1 03 5 397 500 5 0	
	398 – 403		1 03 5 400 500 0 0	1 03 5 400 500 5 0	
	404 – 409		1 03 5 406 500 0 0	1 03 5 406 500 5 0	
	410 – 415		1 03 5 410 500 0 0	1 03 5 410 500 5 0	
	416 – 420		1 03 5 420 500 0 0	1 03 5 420 500 5 0	
	421 – 425		1 03 5 425 500 0 0	1 03 5 425 500 5 0	
	426 – 430		1 03 5 429 500 0 0	1 03 5 429 500 5 0	

L₀ (max. design depth) [mm]: 40 (for F/2/SD/5: 50 mm)

Further material combinations and dimensions available upon request.

