

Curaflex® A/M

NON-PRESSING WATER

- Sealing of penetrations
- Use in **on-site pipe sleeve** or **waterproof concrete core bore** (white tank)
- For **multiple pipes**



DOYMA
GRIP



25
years
guarantee

PRODUCT ADVANTAGES

- Easy assembly thanks to precise dimensions (large standard range)
- Permanently sealed – no need to re-tension later (maintenance-free)
- Greater sealing performance of the gasket insert thanks to DOYMA-Grip
- System component, without cuts or divisions, with water-tight welded bolts

TECHNICAL DETAILS

- Certified under FHRK test regulation GE 101 (no. G 30 322-2-1)
- Gas and water-tight
- Bending of medium pipes up to 8° is possible
- Can accommodate axial movements
- Single sealing

THE GASKET INSERT CONSISTS OF:

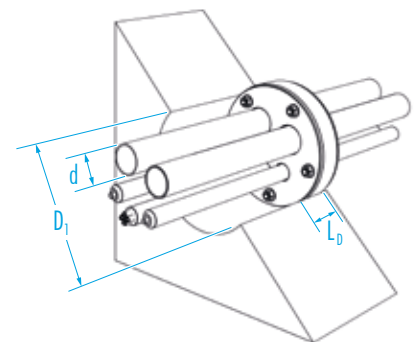
- **Frame rings:** steel rings, GGV triple corrosion protection coating; optionally made of stainless steel 1.4301 (V2A) or 1.4571/1.4404 (V4A)
- **Rubber seal:** elastomer, 27 mm thick EPDM seal (DOYMA-Grip), optional EPDM-TW, NBR (fuel/oil-resistant) or silicone (high temperature-resistant) or FPM (chemical-resistant)



ACCESSORIES (OPTIONAL)*

- Aquagard core bore sealant

* see corresponding section



Curaflex® A/M

Outer diameter of pipe/cable* d [mm]	Number of pipes	Inner diameter of pipe sleeve/core bore D _i [DN in mm]
1-14	1-2	50 (49-53)
1-26	1-2	80 (79-83)
1-23	1-3	
1-24	1-4	
1-16	1-7	
1 × 4-32/1 × 1-14	1-2	
4 × 4-28/1 × 1-12	1-5	100 (99-104)
1-21	1-7	
4-37	1-2	
4-33	1-3	
1 × 4-46/1 × 1-16	1-2	125 (124-128)
4-36	1-4	
2 × 4-34/2 × 4-42	1-4	
4-28	1-7	
4-41	1-3	150 (149-153)
2 × 23-51/2 × 8-36	1-4	
2 × 30-58/2 × 13-41	1-4	
4 × 22-50/1 × 4-16	1-5	
1-20	1-13	
6 × 8-36/2 × 4-16	1-8	200 (199-204)
43-71	1-3	
5 × 23-51/1 × 4-31	1-6	
2 × 28-56/2 × 54-82	1-4	
40-69	1-4	
4-36	1-10	
4-26	1-15	250 (247-253)
8 × 13-41/4 × 4-30	1-12	
4-26	1-20	
12-40	1-8	250 (247-253)
10 × 16-44/5 × 4-36	1-15	

L₀ (max. design length) [mm]: 55

*The precise outer diameter and number of pipes must be specified in your order.
Further dimensions available upon request. No article numbers.