

Curaflex® A/M/T

NON-PRESSING WATER

- Sealing of penetrations
- Use in **on-site pipe sleeve** or **waterproof concrete core bore** (white tank)
- For **multiple pipes**
- **Split version**, for **pipes that are already installed**



DOYMA
GRIP



25
years
guarantee

PRODUCT ADVANTAGES

- Easy assembly thanks to precise dimensions (large standard range)
- Permanently sealed – no need to re-tension later (maintenance-free)
- Greater sealing performance of the gasket insert thanks to DOYMA-Grip
- Water-tight welded bolts
- For retrofitting around existing pipes

TECHNICAL DETAILS

- Certified under FHRK test regulation GE 101 (no. G 30 322-2-1)
- Gas and water-tight
- Bending of medium pipes up to 8° is possible
- Can accommodate axial movements
- Single sealing
- Split version

THE GASKET INSERT CONSISTS OF:

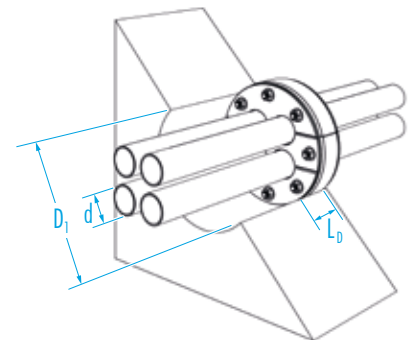
- **Split frame rings:** steel rings, GGV triple corrosion protection coating; optionally made of stainless steel 1.4301 (V2A) or 1.4571/1.4404 (V4A)
- **Split rubber seal:** elastomer, 27 mm thick EPDM seal (DOYMA-Grip), optional EPDM-TW, NBR (fuel/oil-resistant) or silicone (high temperature-resistant) or FPM (chemical-resistant)



ACCESSORIES (OPTIONAL)*

- Aquagard core bore sealant

* see corresponding section



Curaflex® A/M/T

Outer diameter of pipe/cable* d [mm]	Number of pipes	Inner diameter of pipe sleeve/core bore D ₁ [DN in mm]
1-21	1-3	80 (79-83)
4-37	1-2	100 (99-104)
4-26	1-4	
1 × 18-36 2 × 8-16	1-3	
1 × 8-22 4 × 8-16	1-5	
4-32	1-4	125 (124-128)
25-41	1-3	
2 × 2-46 2 × 2-36	1-4	150 (149-153)
15-31	1-9	200 (199-204)

L₀ (max. design length): 65 mm

*The precise outer diameter and number of pipes must be specified in your order.
Further material combinations and dimensions available upon request. No article numbers.