

Curaflex® A/0

NON-PRESSING WATER

- Sealing of penetrations
- Use in **on-site pipe sleeve** or **waterproof concrete core bore** (white tank)
- Permanent **plug seal**



DOYMA
GRIP



25
years
guarantee

PRODUCT ADVANTAGES

- Easy assembly thanks to precise dimensions
- Permanently sealed – no need to re-tension later (maintenance-free)
- Greater sealing performance of the gasket insert thanks to DOYMA-Grip
- Water-tight welded bolts

TECHNICAL DETAILS

- Certified under FHRK test regulation GE 101 (no. G 30 322-2-1)
- Gas and water-tight
- Single 'plugged' sealing

THE GASKET INSERT CONSISTS OF:

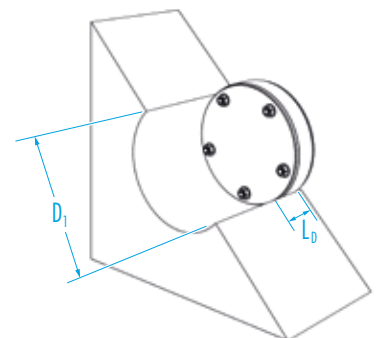
- **Frame rings:** steel rings, GGW triple corrosion protection coating; optionally made of stainless steel 1.4301 (V2A) or 1.4571/1.4404 (V4A)
- **Rubber seal:** elastomer, 27 mm thick EPDM seal (DOYMA-Grip), optional EPDM-TW, NBR (fuel/oil-resistant) or silicone (high temperature-resistant) or FPM (chemical-resistant)



ACCESSORIES (OPTIONAL)*

- Aquagard core bore sealant

* see corresponding section



Curaflex® A/O

Inner diameter of pipe sleeve/core bore D_1 [DN in mm]	Article number
50 (49–53)	1 01 0 000 050 0 0
80 (79–83)	1 01 0 000 080 0 0
100 (99–104)	1 01 0 000 100 0 0
125 (124–128)	1 01 0 000 125 0 0
150 (149–153)	1 01 0 000 150 0 0
200 (199–204)	1 01 0 000 200 0 0
250 (247–253)	1 01 0 000 250 0 0
300 (297–304)	1 01 0 000 300 0 0
350 (347–354)	1 01 0 000 350 0 0
400 (397–404)	1 01 0 000 400 0 0
450 (447–454)	1 01 0 000 450 0 0
500 (497–503)	1 01 0 000 500 0 0

L_p (max. design length): 60 mm

Further material combinations and dimensions available upon request.