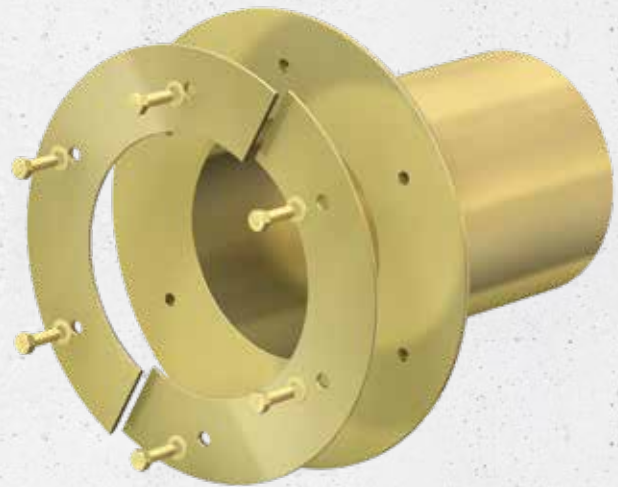


# Curaflex® 5000

NON-PRESSING WATER

- Cut-out for penetrations
- Use in unfinished structures
- For use with tanking membranes or thick coating (black tank)
- With fixed and loose flange
- For high static load capacity



Dichtigkeitsprüf.  
22 1618 296-01-5K  
MPA NRW

25 years  
guarantee

## PRODUCT ADVANTAGES

- Optimally designed inner wall for holding the DOYMA sealing systems and house lead-ins
- Steel pipe sleeve for high static loads with integrated fixed and loose flange (loose flange split)
- For flush mounting into the formwork

## TECHNICAL DETAILS

- With fixed and loose flanges in accordance with DIN 18195/DIN 18533
- Gas and water-tight
- Depending on the tanking membrane, installed with Curaflex® packings (1775) arranged on both sides where there is thin and hard film, or accessories where there is a thick coating (1776): sanding of the contact surfaces of the fixed/loose flange

## MATERIAL

- GGV triple corrosion protection coating; optionally made of stainless steel 1.4301 (V2A) or 1.4571/1.4404 (V4A)
- Contact surfaces sanded where a thick coating is yet to be applied
- Delivery includes fixing material for solid walls

Inner diameter of pipe sleeve $D_1$ [DN in mm]	Outer diameter of fixed flange $D_5$ max. [mm]	Standard lengths $L_1$ [mm]
80	260	
100	280	
125	300	
150	330	
200	380	200
250	430	240
300	480	250
350	530	300
400	580	350
450	630	365
500	680	400
600	780	
700	880	

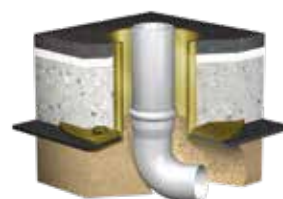
Further material combinations and dimensions available upon request.



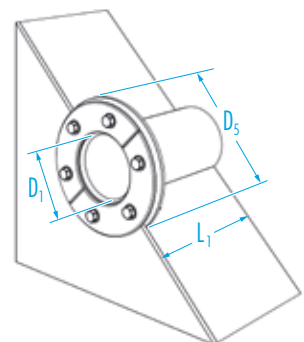
### ACCESSORIES (OPTIONAL)\*

- Curaflex® packings (1775) for thin, hard films
- Accessories for thick coating
- Punch for thick coating

\* see corresponding section



Variant: Curaflex® 5000/U



D-MT-1-903

Subject to technical changes. Some illustrations include accessories.