
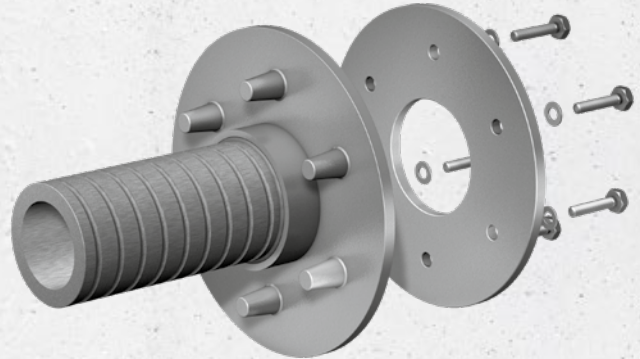


Curaflex® 4006

 PRESSING WATER

- Cut-out for penetrations
- Use in **unfinished structures**
- For use with **tanking membranes** or **thick coating** (black tank)
- With **fixed and loose flange**



Dichtigkeitsprüf.
22 1618 296-01-4K
MPA NRW

Dichtigkeitsprüf.
PB 5.1/17-206-1
MIPA Leipzig

25
years
guarantee

PRODUCT ADVANTAGES

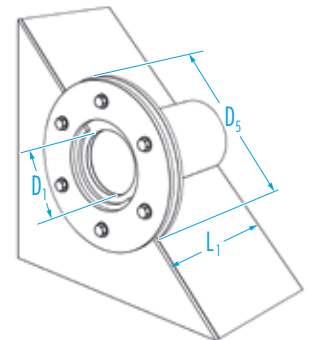
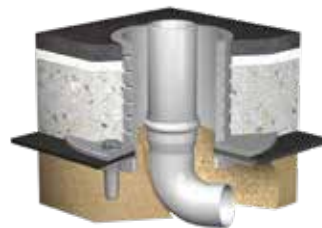
- Optimally designed inner wall for holding the DOYMA sealing systems and house lead-ins
- Coefficient of expansion of the material corresponds to that of concrete
- Corrosion and asbestos-free; dimensionally stable and durable special fibre cement with firmly connected fixed and loose flange made of cast iron
- Homogeneous connection to the concrete

TECHNICAL DETAILS

- With fixed and loose flanges in accordance with DIN 18195/DIN 18533
- Gas-tight against ground gas with membrane that comes into contact with the soil
- Depending on the tanking membrane, installed with Curaflex® packings (1775) arranged on both sides where there is thin and hard film, or accessories where there is a thick coating (1776)

MATERIAL

- Special fibre cement with firmly connected fixed and loose flange made of cast iron



Variant: Curaflex® 4006 /U as bottom feed-through



ACCESSORIES (OPTIONAL)*

- Curaflex® packings (1775) for thin, hard films
- Accessories for thick coating
- Punch for thick coating

* see corresponding section

Inner diameter of pipe sleeve D ₁ [DN in mm]	Outer diameter of fixed flange D ₂ max. [mm]	Length [mm]	Article number	Accessories for plastic tanking membranes	Accessories for bitumen filler compound
80	440	200	1 40 6 080 200 0 0	1 99 6 775 080 4 0	1 99 6 776 080 4 0
		240	1 40 6 080 240 0 0		
		250	1 40 6 080 250 0 0		
		300	1 40 6 080 300 0 0		
		350	1 40 6 080 350 0 0		
		365	1 40 6 080 365 0 0		
		400	1 40 6 080 400 0 0		
		500	1 40 6 080 500 0 0		
100	460	1000	1 40 6 080 999 0 0	1 99 6 775 100 4 0	1 99 6 776 100 4 0
		200	1 40 6 100 200 0 0		
		240	1 40 6 100 240 0 0		
		250	1 40 6 100 250 0 0		
		300	1 40 6 100 300 0 0		
		350	1 40 6 100 350 0 0		
		365	1 40 6 100 365 0 0		
		400	1 40 6 100 400 0 0		
125	480	500	1 40 6 100 500 0 0	1 99 6 775 125 4 0	1 99 6 776 125 4 0
		1000	1 40 6 100 999 0 0		
		200	1 40 6 125 200 0 0		
		240	1 40 6 125 240 0 0		
		250	1 40 6 125 250 0 0		
		300	1 40 6 125 300 0 0		
		350	1 40 6 125 350 0 0		
		365	1 40 6 125 365 0 0		
150	510	400	1 40 6 125 400 0 0	1 99 6 775 150 4 0	1 99 6 776 150 4 0
		500	1 40 6 125 500 0 0		
		1000	1 40 6 125 999 0 0		
		200	1 40 6 150 200 0 0		
		240	1 40 6 150 240 0 0		
		250	1 40 6 150 250 0 0		
		300	1 40 6 150 300 0 0		
		350	1 40 6 150 350 0 0		
200	560	365	1 40 6 150 365 0 0	1 99 6 775 200 4 0	1 99 6 776 200 4 0
		400	1 40 6 150 400 0 0		
		500	1 40 6 150 500 0 0		
		1000	1 40 6 150 999 0 0		
		200	1 40 6 200 200 0 0		
		240	1 40 6 200 240 0 0		
		250	1 40 6 200 250 0 0		
		300	1 40 6 200 300 0 0		
250	610	350	1 40 6 200 350 0 0	1 99 6 775 250 4 0	1 99 6 776 250 4 0
		365	1 40 6 200 365 0 0		
		400	1 40 6 200 400 0 0		
		500	1 40 6 200 500 0 0		
		1000	1 40 6 200 999 0 0		
		200	1 40 6 250 200 0 0		
		240	1 40 6 250 240 0 0		
		250	1 40 6 250 250 0 0		
300	660	300	1 40 6 250 300 0 0	1 99 6 775 300 4 0	1 99 6 776 300 4 0
		350	1 40 6 250 350 0 0		
		365	1 40 6 250 365 0 0		
		400	1 40 6 250 400 0 0		
		500	1 40 6 250 500 0 0		
		1000	1 40 6 250 999 0 0		
		200	1 40 6 300 200 0 0		
		240	1 40 6 300 240 0 0		
250	1 40 6 300 250 0 0				
300	1 40 6 300 300 0 0				
350	1 40 6 300 350 0 0				
365	1 40 6 300 365 0 0				
400	1 40 6 300 400 0 0				
500	1 40 6 300 500 0 0				
1000	1 40 6 300 999 0 0				

Further dimensions available upon request.