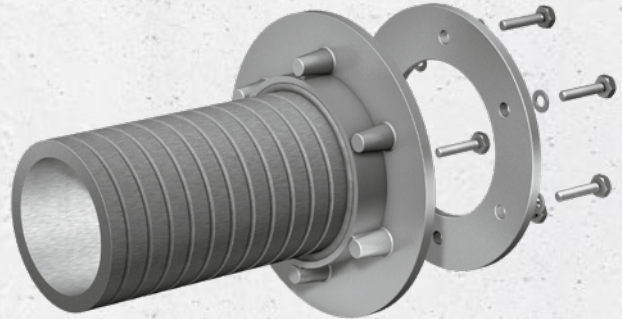


Curaflex® 4005

NON-PRESSING WATER

- Cut-out for penetrations
- Use in unfinished structures
- For use with tanking membranes or thick coating (black tank)
- With fixed and loose flange



25
Years
Guarantee

PRODUCT ADVANTAGES

- Optimally designed inner wall for holding the DOYMA sealing systems and house lead-ins
- Coefficient of expansion of the material corresponds to that of concrete
- Corrosion and asbestos-free; dimensionally stable and durable special fibre cement with firmly connected fixed and loose flange made of cast iron
- Homogeneous connection to the concrete

TECHNICAL DETAILS

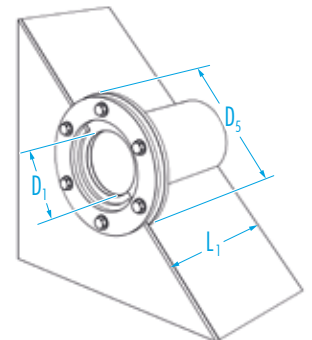
- With fixed and loose flanges in accordance with DIN 18195/DIN 18533
- Gas-tight against ground gas with membrane that comes into contact with the soil
- Depending on the tanking membrane, installed with Curaflex® packings (1775) arranged on both sides where there is thin and hard film, or accessories where there is a thick coating (1776)

MATERIAL

Special fibre cement with firmly connected fixed and loose flange made of cast iron.



Variant: Curaflex® 4005/U as bottom feed-through



ACCESSORIES (OPTIONAL)*

- Curaflex® packings (1775) for thin, hard films
- Accessories for thick coating
- Punch for thick coating

* see corresponding section

Curaflex® 4005

Inner diameter of pipe sleeve D ₁ [DN in mm]	Outer diameter of fixed flange D ₂ max. [mm]	Standard lengths L ₁ [mm]	Article number	Accessories for plastic tanking membranes	Accessories for bitumen filler compound
80	270	200	1 40 5 080 200 0 0	1 99 5 775 080 4 0	1 99 5 776 080 4 0
		240	1 40 5 080 240 0 0		
		250	1 40 5 080 250 0 0		
		300	1 40 5 080 300 0 0		
		350	1 40 5 080 350 0 0		
		365	1 40 5 080 365 0 0		
		400	1 40 5 080 400 0 0		
		500	1 40 5 080 500 0 0		
		1000	1 40 5 080 999 0 0		
100	290	200	1 40 5 100 200 0 0	1 99 5 775 100 4 0	1 99 5 776 100 4 0
		240	1 40 5 100 240 0 0		
		250	1 40 5 100 250 0 0		
		300	1 40 5 100 300 0 0		
		350	1 40 5 100 350 0 0		
		365	1 40 5 100 365 0 0		
		400	1 40 5 100 400 0 0		
		500	1 40 5 100 500 0 0		
		1000	1 40 5 100 999 0 0		
125	320	200	1 40 5 125 200 0 0	1 99 5 775 125 4 0	1 99 5 776 125 4 0
		240	1 40 5 125 240 0 0		
		250	1 40 5 125 250 0 0		
		300	1 40 5 125 300 0 0		
		350	1 40 5 125 350 0 0		
		365	1 40 5 125 365 0 0		
		400	1 40 5 125 400 0 0		
		500	1 40 5 125 500 0 0		
		1000	1 40 5 125 999 0 0		
150	345	200	1 40 5 150 200 0 0	1 99 5 775 150 4 0	1 99 5 776 150 4 0
		240	1 40 5 150 240 0 0		
		250	1 40 5 150 250 0 0		
		300	1 40 5 150 300 0 0		
		350	1 40 5 150 350 0 0		
		365	1 40 5 150 365 0 0		
		400	1 40 5 150 400 0 0		
		500	1 40 5 150 500 0 0		
		1000	1 40 5 150 999 0 0		
200	400	200	1 40 5 200 200 0 0	1 99 5 775 200 4 0	1 99 5 776 200 4 0
		240	1 40 5 200 240 0 0		
		250	1 40 5 200 250 0 0		
		300	1 40 5 200 300 0 0		
		350	1 40 5 200 350 0 0		
		365	1 40 5 200 365 0 0		
		400	1 40 5 200 400 0 0		
		500	1 40 5 200 500 0 0		
		1000	1 40 5 200 999 0 0		
250	455	200	1 40 5 250 200 0 0	1 99 5 775 250 4 0	1 99 5 776 250 4 0
		240	1 40 5 250 240 0 0		
		250	1 40 5 250 250 0 0		
		300	1 40 5 250 300 0 0		
		350	1 40 5 250 350 0 0		
		365	1 40 5 250 365 0 0		
		400	1 40 5 250 400 0 0		
		500	1 40 5 250 500 0 0		
		1000	1 40 5 250 999 0 0		
300	510	200	1 40 5 300 200 0 0	1 99 5 775 300 4 0	1 99 5 776 300 4 0
		240	1 40 5 300 240 0 0		
		250	1 40 5 300 250 0 0		
		300	1 40 5 300 300 0 0		
		350	1 40 5 300 350 0 0		
		365	1 40 5 300 365 0 0		
		400	1 40 5 300 400 0 0		
		500	1 40 5 300 500 0 0		
		1000	1 40 5 300 999 0 0		

Further dimensions available upon request. Contact us.

