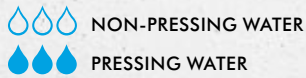
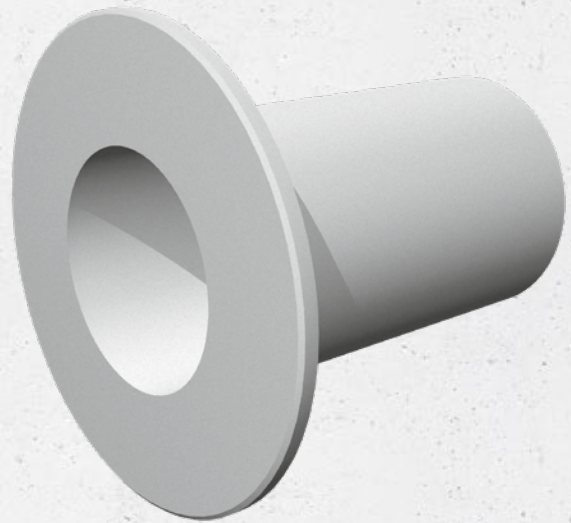


# Curaflex® 3001



- Cut-out for penetrations
- Use in **unfinished structures**
- For use with **sealants to be processed in liquid form (black tank)**
- With **bonding flange** in accordance with DIN 18533



## PRODUCT ADVANTAGES

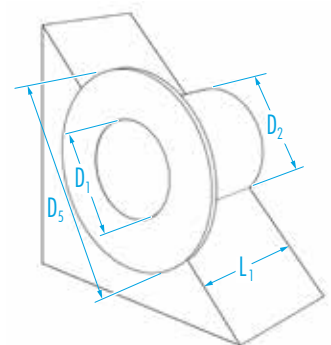
- Optimally designed inner wall for holding the DOYMA sealing systems and house lead-ins
- Dimensionally stable and durable special fibre cement
- Coefficient of expansion of the material corresponds to that of concrete
- Homogeneous connection to the concrete
- Optimal connection through fibre cement flange
- With bonding flange for the on-site application of a thick coating (KMB/PMBC) even with pressing water (W2.1-E)
- With bonding flange for the on-site application of a mineral sealing slurry (MDS) and a liquid plastic (FLK)
- With bonding flange for the on-site bonding of a fresh concrete composite film (FBV)

## TECHNICAL DETAILS

- Gas-tight against ground gas with membrane that comes into contact with the soil
- Also available as a split version

## MATERIAL

- Asbestos-free fibre cement
- Fibre cement fixed flange as bonding flange in accordance with DIN 18533
- Fibre glass matting for KMB/PMBC



## Curaflex® 3001

| Inner diameter of pipe sleeve<br>D <sub>1</sub> [DN in mm] | Outer diameter of pipe sleeve<br>D <sub>2</sub> max. [mm] | Outer diameter of bonding flange<br>D <sub>3</sub> max. [mm] | Article number     |
|--|---|--|--------------------|
| 80   | ≤ 140   | 285  | 1 30 0 080 415 0 9 |
| 100  | ≤ 160   | 305  | 1 30 0 100 415 0 9 |
| 125  | ≤ 165   | 330  | 1 30 0 125 415 0 9 |
| 150  | ≤ 190   | 355  | 1 30 0 150 415 0 9 |
| 200  | ≤ 245   | 405  | 1 30 0 200 415 0 9 |
| 250  | ≤ 300   | 455  | 1 30 0 250 415 0 9 |
| 300  | ≤ 350   | 505  | 1 30 0 300 415 0 9 |

L<sub>1</sub>: standard length of pipe sleeve: 415 mm

Other lengths available at additional cost.