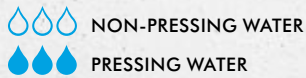
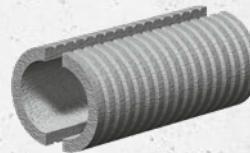
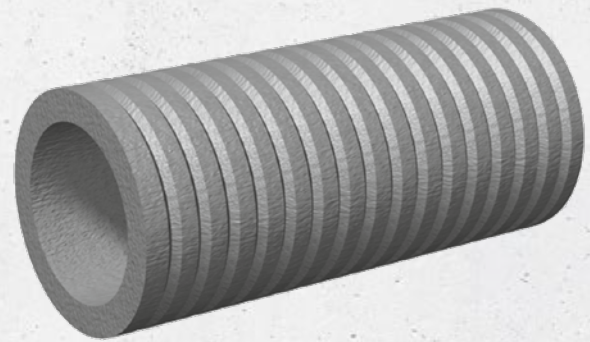


Curaflex® 3000



- Cut-out for penetrations
- Use in unfinished structures
- For waterproof concrete structures (white tank)



Variant: Curaflex® 3000/T pipe sleeve – properties as described above, but split lengthwise. For installation with an existing pipe in the wall.



PRODUCT ADVANTAGES

- Homogeneous connection to the concrete, reinforced by the special grooving
- Coefficient of expansion of the material corresponds to that of concrete
- Optimally designed inner wall for holding the DOYMA sealing systems and house lead-ins
- For a white tank (waterproof concrete structures without tanking membranes/thick coatings)

TECHNICAL DETAILS

- Gas-tight against ground gas with membrane that comes into contact with the soil

MATERIAL

- Asbestos-free fibre cement



Variant: Curaflex® 3000 and Curaflex® C as bottom feed-through



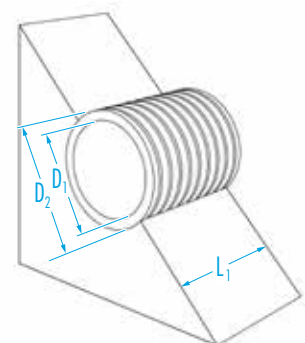
ACCESSORIES – ABSOLUTELY NECESSARY!*

- Concrete adhesive (1740) for Curaflex® 3000/T pipe sleeve (split pipe sleeve)

ACCESSORIES (OPTIONAL)*

- Formwork fastener (1701)
- Sealing plugs (1702)

* see corresponding section



Curaflex® 3000

Inner diameter of pipe sleeve D ₁ [DN in mm]	Outer diameter of pipe sleeve D ₂ [DN in mm]	Length [mm]	Article number
80	≤ 140	200	1 30 0 080 200 0 0
		240	1 30 0 080 240 0 0
		250	1 30 0 080 250 0 0
		300	1 30 0 080 300 0 0
		350	1 30 0 080 350 0 0
		365	1 30 0 080 365 0 0
		400	1 30 0 080 400 0 0
		500	1 30 0 080 500 0 0
		1000	1 30 0 080 999 0 0
100	≤ 160	200	1 30 0 100 200 0 0
		240	1 30 0 100 240 0 0
		250	1 30 0 100 250 0 0
		300	1 30 0 100 300 0 0
		350	1 30 0 100 350 0 0
		365	1 30 0 100 365 0 0
		400	1 30 0 100 400 0 0
		500	1 30 0 100 500 0 0
		1000	1 30 0 100 999 0 0
125	≤ 165	200	1 30 0 125 200 0 0
		240	1 30 0 125 240 0 0
		250	1 30 0 125 250 0 0
		300	1 30 0 125 300 0 0
		350	1 30 0 125 350 0 0
		365	1 30 0 125 365 0 0
		400	1 30 0 125 400 0 0
		500	1 30 0 125 500 0 0
		1000	1 30 0 125 999 0 0
150	≤ 190	200	1 30 0 150 200 0 0
		240	1 30 0 150 240 0 0
		250	1 30 0 150 250 0 0
		300	1 30 0 150 300 0 0
		350	1 30 0 150 350 0 0
		365	1 30 0 150 365 0 0
		400	1 30 0 150 400 0 0
		500	1 30 0 150 500 0 0
		1000	1 30 0 150 999 0 0
200	≤ 245	200	1 30 0 200 200 0 0
		240	1 30 0 200 240 0 0
		250	1 30 0 200 250 0 0
		300	1 30 0 200 300 0 0
		350	1 30 0 200 350 0 0
		365	1 30 0 200 365 0 0
		400	1 30 0 200 400 0 0
		500	1 30 0 200 500 0 0
		1000	1 30 0 200 999 0 0
250	≤ 300	200	1 30 0 250 200 0 0
		240	1 30 0 250 240 0 0
		250	1 30 0 250 250 0 0
		300	1 30 0 250 300 0 0
		350	1 30 0 250 350 0 0
		365	1 30 0 250 365 0 0
		400	1 30 0 250 400 0 0
		500	1 30 0 250 500 0 0
		1000	1 30 0 250 999 0 0

Inner diameter of pipe sleeve D ₁ [DN in mm]	Outer diameter of pipe sleeve D ₂ [DN in mm]	Length [mm]	Article number
300	≤ 350	200	1 30 0 300 200 0 0
		240	1 30 0 300 240 0 0
		250	1 30 0 300 250 0 0
		300	1 30 0 300 300 0 0
		350	1 30 0 300 350 0 0
		365	1 30 0 300 365 0 0
		400	1 30 0 300 400 0 0
		500	1 30 0 300 500 0 0
		1000	1 30 0 300 999 0 0
350	≤ 400	200	1 30 0 350 200 0 0
		240	1 30 0 350 240 0 0
		250	1 30 0 350 250 0 0
		300	1 30 0 350 300 0 0
		350	1 30 0 350 350 0 0
		365	1 30 0 350 365 0 0
		400	1 30 0 350 400 0 0
		500	1 30 0 350 500 0 0
		1000	1 30 0 350 999 0 0
400	≤ 470	200	1 30 0 400 200 0 0
		240	1 30 0 400 240 0 0
		250	1 30 0 400 250 0 0
		300	1 30 0 400 300 0 0
		350	1 30 0 400 350 0 0
		365	1 30 0 400 365 0 0
		400	1 30 0 400 400 0 0
		500	1 30 0 400 500 0 0
		1000	1 30 0 400 999 0 0
450	≤ 520	200	1 30 0 450 200 0 0
		240	1 30 0 450 240 0 0
		250	1 30 0 450 250 0 0
		300	1 30 0 450 300 0 0
		350	1 30 0 450 350 0 0
		365	1 30 0 450 365 0 0
		400	1 30 0 450 400 0 0
		500	1 30 0 450 500 0 0
		1000	1 30 0 450 999 0 0
500	≤ 570	200	1 30 0 500 200 0 0
		240	1 30 0 500 240 0 0
		250	1 30 0 500 250 0 0
		300	1 30 0 500 300 0 0
		350	1 30 0 500 350 0 0
		365	1 30 0 500 365 0 0
		400	1 30 0 500 400 0 0
		500	1 30 0 500 500 0 0
		1000	1 30 0 500 999 0 0
600	≤ 680	200	1 30 0 600 200 0 0
		240	1 30 0 600 240 0 0
		250	1 30 0 600 250 0 0
		300	1 30 0 600 300 0 0
		350	1 30 0 600 350 0 0
		365	1 30 0 600 365 0 0
		400	1 30 0 600 400 0 0
		500	1 30 0 600 500 0 0
		1000	1 30 0 600 999 0 0

Inner diameter of pipe sleeve D ₁ [DN in mm]	Outer diameter of pipe sleeve D ₂ [DN in mm]	Length [mm]	Article number
700	≤ 800	200	1 30 0 700 200 0 0
		240	1 30 0 700 240 0 0
		250	1 30 0 700 250 0 0
		300	1 30 0 700 300 0 0
		350	1 30 0 700 350 0 0
		365	1 30 0 700 365 0 0
		400	1 30 0 700 400 0 0
		500	1 30 0 700 500 0 0
		1000	1 30 0 700 999 0 0
800	≤ 910	200	1 30 0 800 200 0 0
		240	1 30 0 800 240 0 0
		250	1 30 0 800 250 0 0
		300	1 30 0 800 300 0 0
		350	1 30 0 800 350 0 0
		365	1 30 0 800 365 0 0
		400	1 30 0 800 400 0 0
		500	1 30 0 800 500 0 0
		1000	1 30 0 800 999 0 0