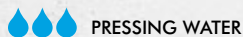


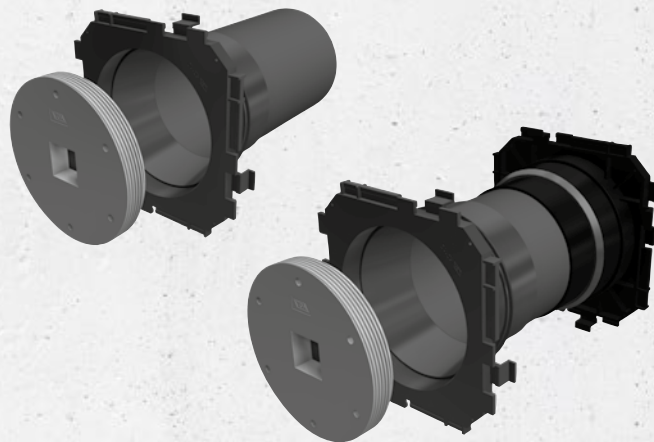
UGA KD 110 sealing collar



Including blind caps that are leak-tight against pressing water



- Use in unfinished structures to be made from waterproof concrete (white tank)
- With screw closure



PRODUCT ADVANTAGES

- Quick and easy installation
- Leak-tight against gas and pressing water immediately after installation due to blind cap
- Permanently reliable sealing
- Versatile variants and connection options thanks to precisely fitting system covers and inserts
- Bundling possible thanks to easy combination of sealing collars
- No reworking required
- Special version for twin/element walls

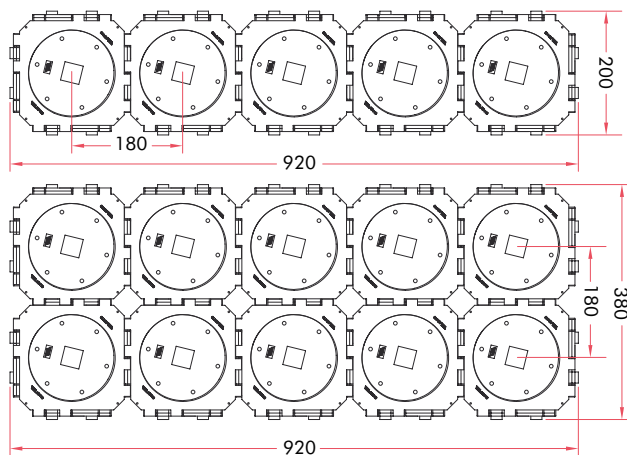
TECHNICAL DETAILS

- Single flange sleeve can be used for 80–500 mm wall thickness
- Double flange sleeve can be used for 140–500 mm wall thickness
- Application for wall thicknesses over 500 mm possible

PRODUCT SCOPE

- Flange sleeve for holding system for holding system caps with water pressure tight blind cap with protective film
- The sealing collar has a sealing system. This ensures an absolute leak-tight connection to the concrete

BUNDLING



Angular flange sleeve

Suitable for cables laid at an angle of 30°, 45° or 60° coming from any direction. With auxiliary frame and styrofoam wedge. Single or double flange sleeve available. Minimum wall thickness is 250 mm.



The UGA range is excluded from the DOYMA 25-year warranty.



Product		Article number
KD110-K/150	Single flange sleeve for wall thicknesses up to 500 mm	4 01 2 110 150 0 4
KD110-K/200		4 01 2 110 200 0 4
KD110-K/250		4 01 2 110 250 0 4
KD110-K/300		4 01 2 110 300 0 4
KD110-K/400		4 01 2 110 400 0 4
KD110-K/500		4 01 2 110 500 0 4
KD110-K2/150	Double flange sleeve for wall thicknesses up to 500 mm	4 02 2 110 150 0 4
KD110-K2/200		4 02 2 110 200 0 4
KD110-K2/250		4 02 2 110 250 0 4
KD110-K2/300		4 02 2 110 300 0 4
KD110-K2/400		4 02 2 110 400 0 4
KD110-K2/500		4 02 2 110 500 0 4
KD110-K2-EW/150	Double flange sleeve for twin/element walls with thicknesses up to 500 mm	–
KD110-K2-EW/200		–
KD110-K2-EW/250		–
KD110-K2-EW/300		–
KD110-K2-EW/400		–
KD110-K2-EW/500		–

Article	Angle
Angular single flange sleeve	
KD110-K-S30/(L)	30°
KD110-K-S45/(L)	45°
KD110-K-S60/(L)	60°
Angular double flange sleeve	
KD110-K2-S30/(L)	30°
KD110-K2-S45/(L)	45°
KD110-K2-S60/(L)	60°

The distances of the auxiliary frame must be taken into account when bundling items one on top of the other.