
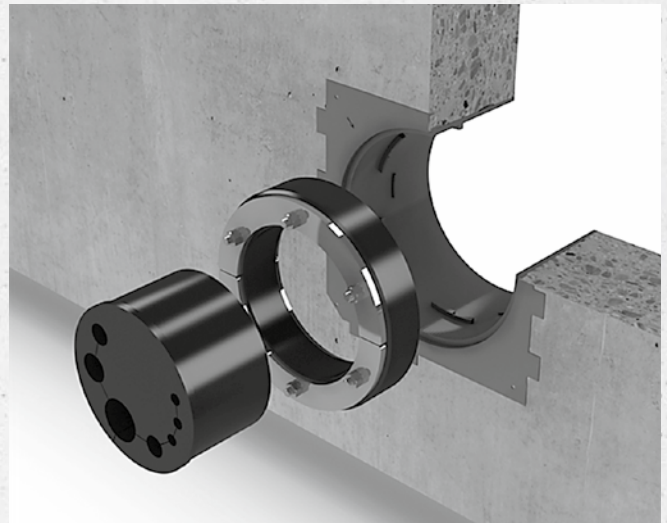


UGA BKD 150 system insert

 PRESSING WATER

- Use in existing flange sleeves and mounting collars on the connection side
- With anti-slip protection
- With replaceable interchangeable or onion-cut insert



PRODUCT ADVANTAGES

- Easy installation
- Split version for installing after cables have been laid
- With bayonet catch mechanism to ensure that insert does not slip
- Interchangeable insert custom-made for your application
- Can also be used as plugged insert

TECHNICAL DETAILS

- All metal parts made of stainless steel 1.4301 (V2A), optionally also stainless steel 1.4571/1.4404 (V4A)
- Split version
- Leak-tight against gas and pressing water

PRODUCT SCOPE

- BKD 150 system insert (gasket insert) made of EPDM
- Interchangeable or onion-cut insert made of EPDM



System insert with interchangeable insert

Product	Examples for max. utilisation*
BKD150-E-WE/V2A/EPDM (Z)x(D)	3 × outer Ø 42 or 5 × outer Ø 34 or

* Other combinations with different diameters are also possible.



System insert with onion-cut insert

Product	Cables	Outer diameter of cable	Article number
BKD150-E-ZS/V2A/EPDM 3 × (22-54)	3	22 – 54 mm	488 1 001 150 24
BKD150-E-ZS/V2A/EPDM 6 × (4-32)	6	4 – 32 mm	488 1 002 150 24
BKD150-E-ZS/V2A/EPDM 9 × (4-25)	9	4 – 25 mm	488 1 003 150 24
BKD150-E-ZS/V2A/EPDM 4 × (4-32) 6 × (4-20)	10	4 × 4 – 32 mm / 6 × 4 – 20 mm	488 1 004 150 24

Individual onion-cut inserts (optional)

Product	Cables	Outer diameter of cable
ZS/G/40/EPDM 22-54	1	22 - 54 mm
ZS/G/40/EPDM 4-20	1	4 - 20 mm
ZS/G/40/EPDM 4-25	1	4 - 25 mm
ZS/G/40/EPDM 4-32	1	4 - 32 mm

The UGA range is excluded from the DOYMA 25-year warranty.

