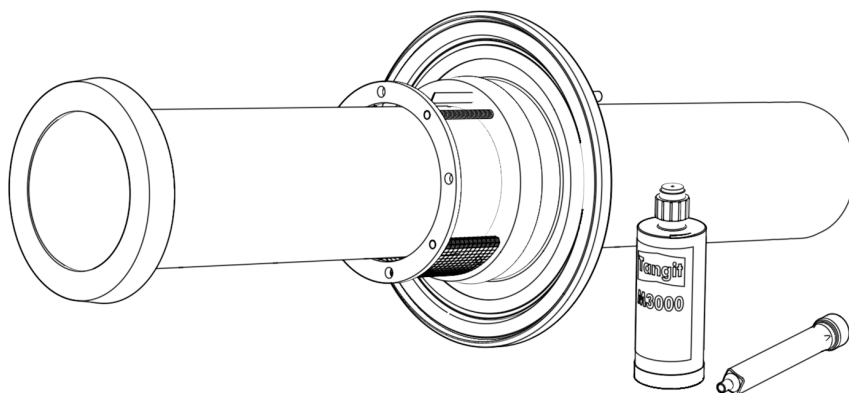


## Installation instructions Quadro-Sicura® Quick/H

For insertion of house lead-ins for water or energy in connection with a Curaflex® Nova gasket insert



### Content

- 1 General information and intended use
- 2 Safety instructions
- 3 Scope of delivery
- 4 Required tools and equipment
- 5 Preparation
- 6 Installation
- 7 Approved two-component expansion resin

### 1 General information and intended use

The Quadro-Sicura® Quick/H is designed for direct installation in core bores with a diameter of 149–153 mm to establish a single house lead-in for subsection gaz.

### 2 Safety instructions



During installation, protect the house lead-in from damage, moisture and contamination. Inspect all individual parts for any damage. Only undamaged parts may be installed.



When installing the house lead-in, the applicable accident prevention regulations, VDE rules, the applicable national health and safety regulations, and the rules and policies (operating procedures) of your company must all be observed.



Please note that no warranty claims whatsoever will be accepted for consequential damage caused by deviating from the specifications and instructions in the installation instructions, using our products not in the intended way or combining our products with third-party products.

**Expansion resin: Tangit M 3000 (300 ml)**

Danger

Contains diphenylmethane-4,4'-diisocyanate

Please observe the manufacturer's notes.

**Note:**

Please note the manufacturer's safety data sheet.

Processing temperature: +5°C to +30°C, optimal: +15°C to +25°C

**Recycling/disposal**

Dispose of rinsed empty packaging in the Dual System (yellow recycling bag). Cured residual polyurethane can be disposed of in normal domestic/commercial waste.

### 3 Scope of delivery

The scope of delivery for the Quadro-Sicura® Quick/H includes:

1 Quadro-Sicura® Quick/H

consisting of:

1 outer seal

1 wall termination ring (building inside)

1 static mixer nozzle

1 Tangit M 3000 300 ml

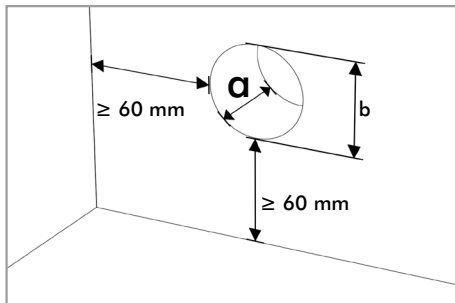
1 installation instructions

### 4 Required tools and equipment

In addition to the usual standard tool, you also need the following tools and equipment in order to properly install the Quadro-Sicura® Quick/H:

- Drill with drill bit for holes measuring  $\varnothing$  149–153 mm
- 2K cartridge gun PP6
- Screwdriver
- Reversible ratchet spanner
- Hexagon socket AF10
- Waterproof pen

## 5 Preparation



### 5.1 Creating a drill hole

The drill can be guided by hand or using a drill stand. Only solid, sturdy material can be drilled.

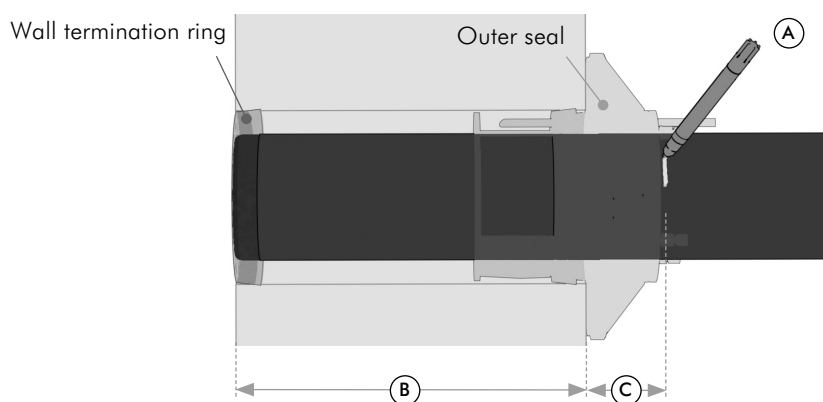
Breakouts may occur with porous or brittle wall materials. If minor breakouts occur, no reworking is required because the area will be sealed by the expansion resin. If more significant breakouts occur, the plaster must be properly restored and structural sealing must be added in accordance with DIN 18533. Substrates must be clean, secure and free of dust and grease.

**Standard:** wall thickness a: 200 mm - 550 mm (sleeve length 760 mm)

**Optional:** wall thickness a: 551 mm - 1200 mm (sleeve length 1400 mm)

**Diameter (b) of core bore / pipe sleeve:** 149–153 mm

### 5.2 Preparing the house lead-in (marking control points e.g. with a waterproof pen)

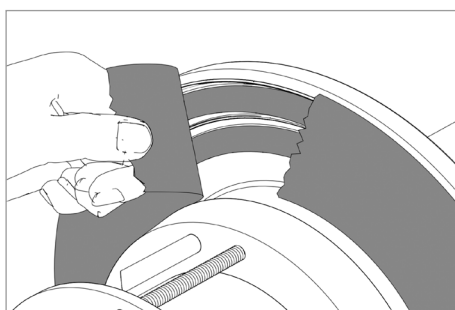


Set the wall distance and mark the control point

A. Position of control point

B. wall thickness

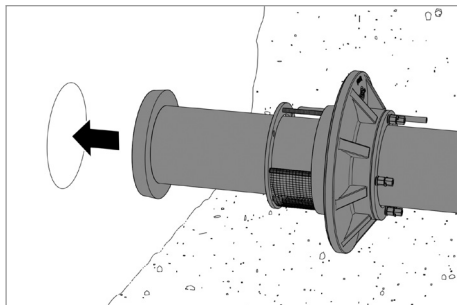
C. Position of 'outer seal' control point (additional 55 mm)



### 5.3

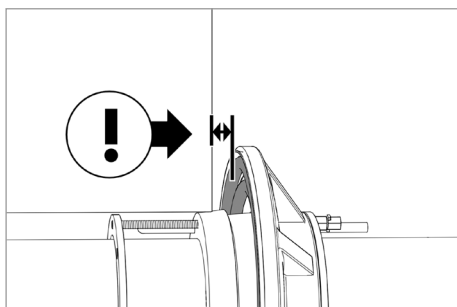
Remove the protective film.

## 6 Installation



6.1

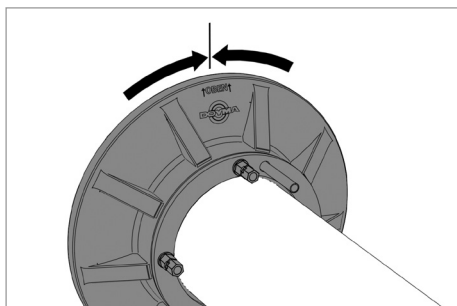
Push the Quadro-Sicura® Quick/H into the core bore from the outside of the building.



6.2

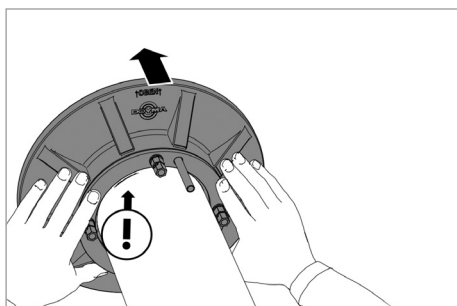


Note: to align the outer seal, the butyl strip must not touch the outer wall.



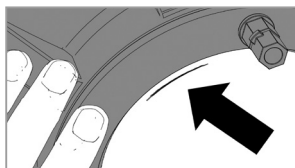
6.3

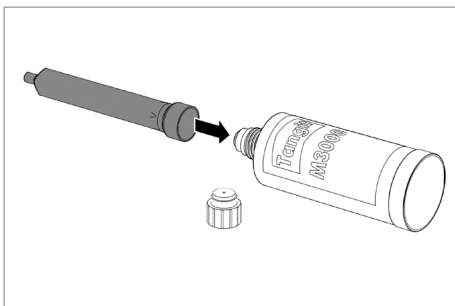
Align the outer seal and house lead-in according to the mark on the large ring ('top') and the mark on the house lead-in.



6.4

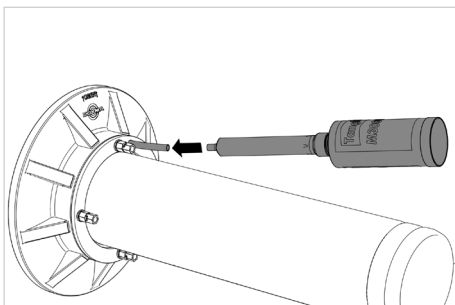
Push the outer seal up to the outer wall, observing the marked control points and correcting the position if necessary.





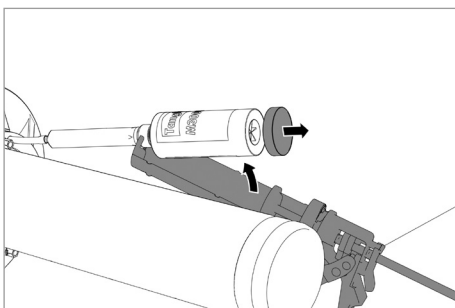
### 6.5

Unscrew the seal cap of the resin cartridge (Tangit M 3000, 300 ml) and screw the cartridge into the static mixer nozzle.



### 6.6

Connect the static mixer nozzle firmly to the filling tube, inserting it all the way.



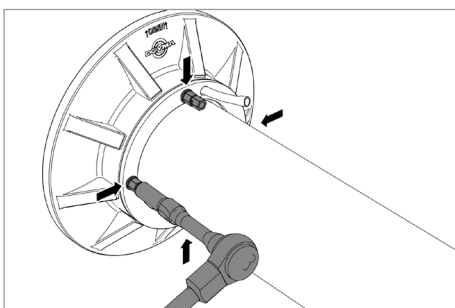
### 6.7

Remove the bottom cap from the resin cartridge.

Insert the resin cartridge into the cartridge gun. With even movements on the cartridge gun, inject all of the resin from the cartridge into the Quadro-Sicura® Quick/H.

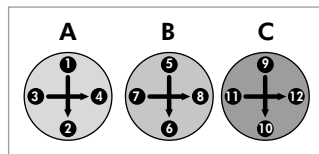


During curing (> 10 min.), do not remove the complete resin system from the Quadro-Sicura® Quick/H!

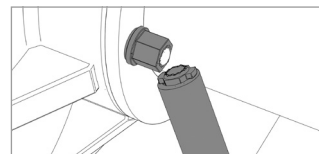


### 6.8 Tightening the ITL nuts

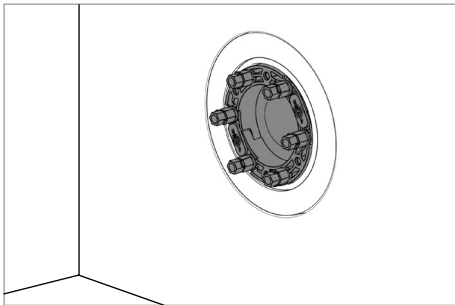
To complete the installation, tighten the ITL nuts (AF10).



Alternate cross-wise:  
several turns each in at least  
three intervals (A>B>C).



Continue until the top nuts shear off (ITL principle: Integrated Torque Limiter; no special tool needed.) To complete the installation, tighten the ITL nuts (AF10).



6.9

The individual steps in the installation instructions for the gasket insert must be carried out. We are unable to include the complete installation instructions for the gasket insert.

## 7 Approved two-component expansion resin

In addition to the aforementioned Tangit M 3000 expansion resin, the following expansion resin is also approved:

- Büttig expansion resin system 308 based on PUR foam (cartridge size 270 ml).

The resin is injected as described above. **Please observe the manufacturer's notes!**



25  
YEARS  
Guarantee

# Quadro-Sicura®

HOUSE LEAD-IN

■ DOYMA offers a 25-year warranty! For more information, visit [www.doyma.de](http://www.doyma.de)

**DOYMA GmbH & Co**  
SEALING SYSTEMS  
FIRE PROTECTION SYSTEMS

Industriestr. 43-57  
28876 Oyten



Phone: 0 42 07/91 66-300  
Fax: 0 42 07/91 66-199

[www.doyma.de](http://www.doyma.de)  
[info@doyma.de](mailto:info@doyma.de)

262105-01/01.20