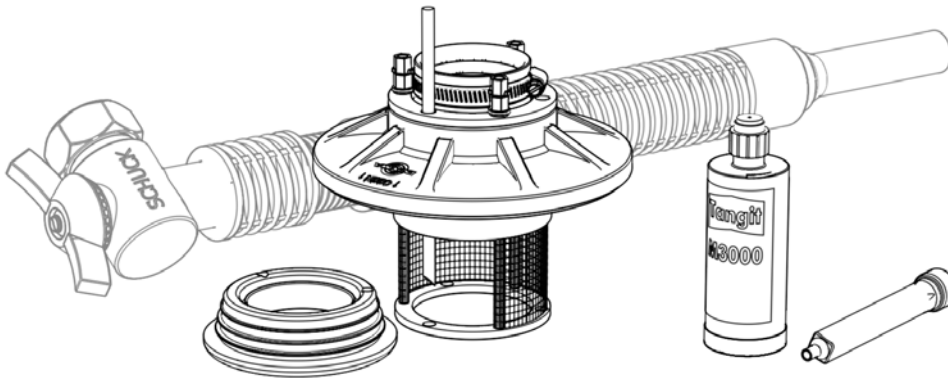


Installation instructions Quadro-Sicura® Quick/G

For insertion of Schuck gas house lead-ins DN25 (1 inch)



Content

- 1 General information and intended use
- 2 Safety instructions
- 3 Scope of delivery
- 4 Required tools and equipment
- 5 Preparation
- 6 Installation
- 7 Approved gas house lead-ins
- 8 Approved two-component expansion resin

1 General information and intended use

The Quadro-Sicura® Quick/G is designed for direct installation in core bores with a diameter of 99–103 mm to establish a single house lead-in for subsection gaz.

2 Safety instructions



During installation, protect the house lead-in from damage, moisture and contamination. Inspect all individual parts for any damage. Only undamaged parts may be installed.



When installing the house lead-in, the applicable accident prevention regulations, VDE rules, the applicable national health and safety regulations, and the rules and policies (operating procedures) of your company must all be observed.



Please note that no warranty claims whatsoever will be accepted for consequential damage caused by deviating from the specifications and instructions in the installation notes, using our products not in the intended way or combining our products with third-party products.



Expansion resin: Tangit M 3000 (150 ml)

Danger

Contains diphenylmethane-4,4'-diisocyanate

Please observe the manufacturer's notes.



Note:

Please note the manufacturer's safety data sheet.

Processing temperature: +5°C to +30°C, optimal: +15°C to +25°C



Recycling/disposal

Dispose of rinsed empty packaging in the Dual System (yellow recycling bag). Cured residual polyurethane can be disposed of in normal domestic/commercial waste.

3 Scope of delivery

The scope of delivery for the Quadro-Sicura® Quick/G includes:

1 Quadro-Sicura® Quick/G

consisting of:

1 outer seal

1 wall termination ring (building inside)

1 static mixer nozzle

1 Tangit M 3000 150 ml

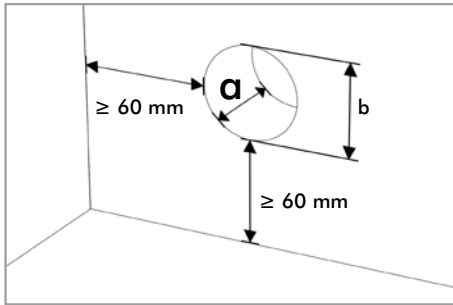
1 Installation instructions

4 Required tools and equipment

In addition to the usual standard tool, you also need the following tools and equipment in order to properly install the Quadro-Sicura® Quick/G:

- Drill with drill bit for holes measuring Ø 99–103 mm
- 2K cartridge gun PP6
- Screwdriver
- Reversible ratchet spanner
- Hexagon socket AF10
- Waterproof pen
- Torque spanner with extension and socket

5 Preparation



5.1 Creating a drill hole

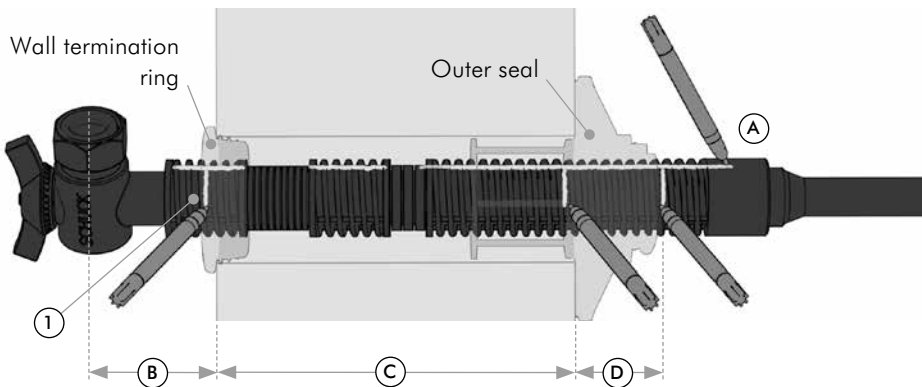
The drill can be guided by hand or using a drill stand. Only solid, sturdy material can be drilled.

Breakouts may occur with porous or brittle wall materials. If minor breakouts occur, no reworking is required because the area will be sealed by the expansion resin. If more significant breakouts occur, the plaster must be properly restored and structural sealing must be added in accordance with DIN 18533. Substrates must be clean, secure and free of dust and grease.

Schuck	
overall length	wall thickness a
700	200-390
1000	200-690
1485	200-1140

Core bore/casing diameter b: 99 mm – 103 mm

5.2 Preparing the house lead-in (marking control points e.g. with a waterproof pen)



A. Position of 'top' / 'Oben' control point for vertical alignment

B. Position of 'wall distance' control point for the prescribed distance to the connection

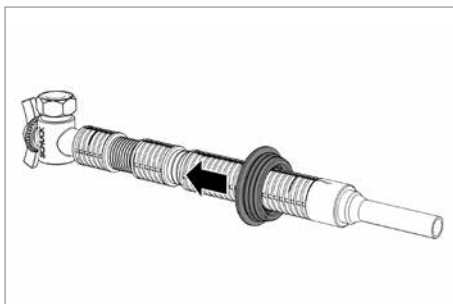
Note:

The wall termination must be positioned at section **1**.

C. Position of 'wall thickness' control point

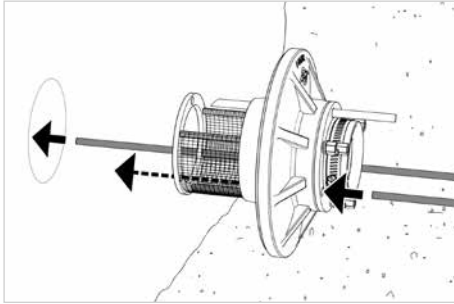
D. Position of 'outer seal' control point (additional **70 mm**)

6 Installation



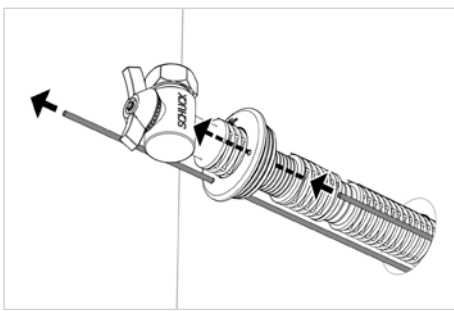
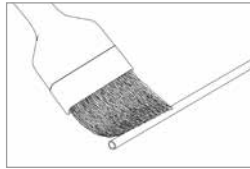
6.1

Push the wall termination onto the gas house lead-in up to the '**wall distance**' mark.



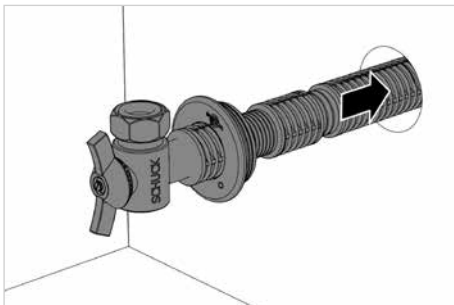
6.2 Installation with 'speed pipe' microducts Ø 7 mm (optional)

Lubricate the 'speed pipe' microducts and insert them through the designated openings on the outer seal.



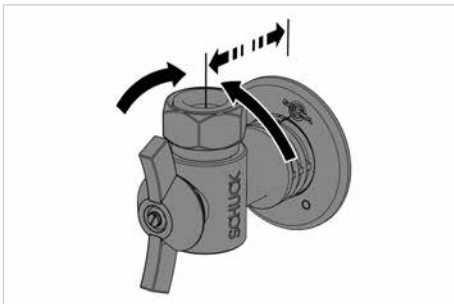
6.2.1

Insert the 'speed pipe' microducts through the designated openings on the wall termination ring.



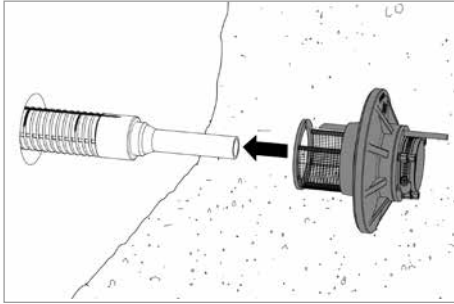
6.3

Insert the gas house lead-in with mounted wall termination into the drill hole from the inside of the building.



6.4

Align the gas house lead-in.

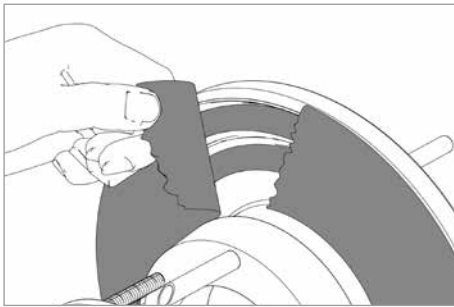


6.5

Push the outer seal over the gas house lead-in into the core bore from the outside of the building.

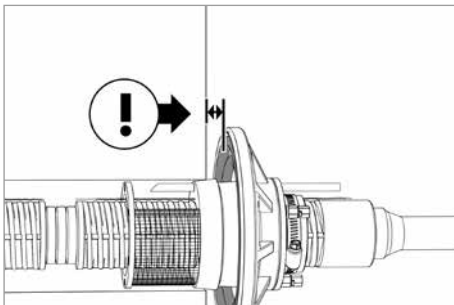


Note: observe the 'top' / 'Oben' control point.



6.6

Remove the protective film.



6.7

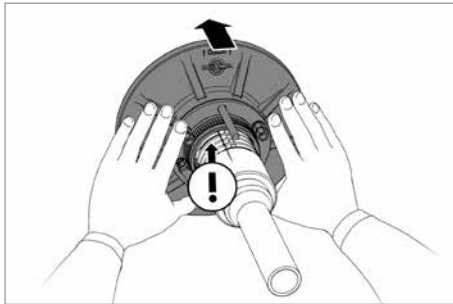


Note: to align the outer seal, the butyl strip must not touch the outer wall.



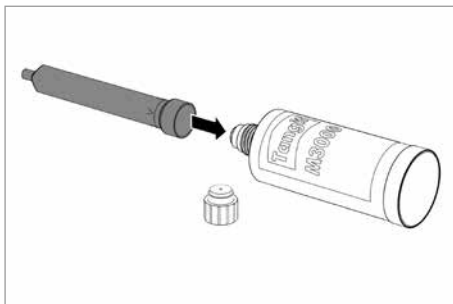
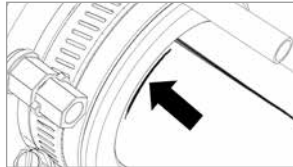
6.8

Align the outer seal and gas house lead-in according to the mark on the large ring ('top' / 'Oben') and the mark on the gas house lead-in.



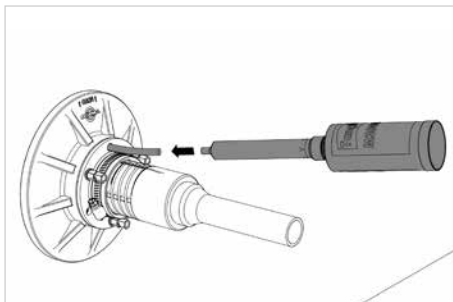
6.8.1

Push the outer seal up to the outer wall, observing the marked control points and correcting the position if necessary.



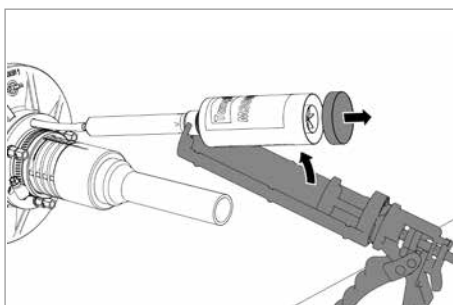
6.9

Unscrew the seal cap of the resin cartridge (Tangit M 3000, 150 ml) and screw the cartridge into the static mixer nozzle.



6.10

Connect the static mixer nozzle firmly to the filling tube, inserting it all the way.



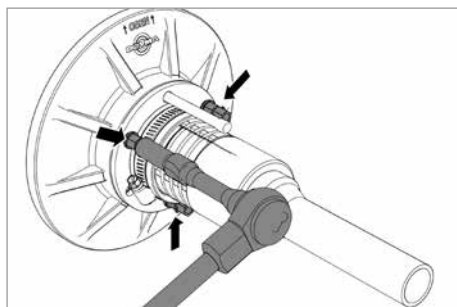
6.11

Remove the bottom cap from the resin cartridge.

Insert the resin cartridge into the cartridge gun. With even movements on the cartridge gun, inject all of the resin from the cartridge into the Quadro-Sicura® Quick/G.

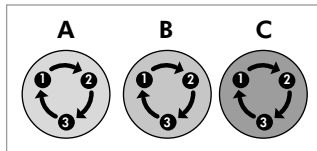


during curing (> 10 min.), do not remove the complete resin system from the Quadro-Sicura® Quick/G!



6.12 Tightening the ITL nuts

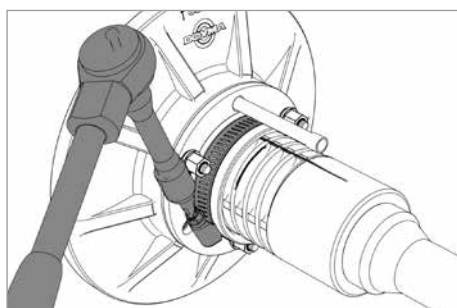
To complete the installation, tighten the ITL nuts (AF10).



Alternate between nuts:
several turns each in at least
three intervals (A>B>C).



Continue until the top nuts shear off (ITL principle: Integrated Torque Limiter; no special tool needed.) To complete the installation, tighten the ITL nuts (AF10).



6.13

Tighten the hose clip \varnothing 50–70 mm with a torque of max. 3 Nm.

7 Approved gas house lead-ins

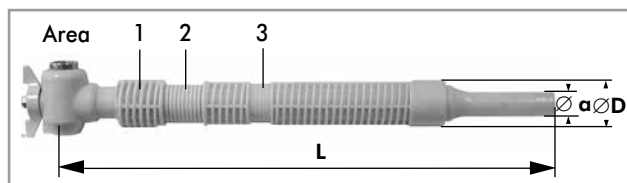


Fig. 7: Types HSP-SKE- ...

Nominal width [inches]	\varnothing a [mm]	\varnothing D [mm]	L [mm]
1	32	63	700/1000/1485

Table 1a: Dimensions of the gas house lead-in

Component: (product type)	Single-duct gas house lead-in
Type:	HSP- SKE/SKERV/SKEF-TA/GTN
Manufacturer:	Schuck Distribution

Area 1 [mm]		Area 2 [mm]		Area 3 [mm]	
\varnothing 65.5 \pm 0.5	Length 68	\varnothing 52 \pm 0.5	Length 56	\varnothing 53 \pm 0.5	Length 30

Table 1b: Dimensions of the gas house lead-in

8 Approved two-component expansion resin

In addition to the aforementioned Tangit M 3000 expansion resin, the following expansion resin is also approved:

- Büttig expansion resin system 308 based on PUR foam (cartridge size 150 ml).

The resin is injected as described above. **Please observe the manufacturer's notes!**

25 years
Guarantee

Quadro-Sicura®

HOUSE LEAD-IN

■ DOYMA offers a 25-year warranty! For more information, visit www.doyma.de

DOYMA GmbH & Co
SEALING SYSTEMS
FIRE PROTECTION SYSTEMS

Industriestr. 43-57
28876 Oyten



Phone: 0 42 07/91 66-300
Fax: 0 42 07/91 66-199

www.doyma.de
info@doyma.de