

NEW

# Quadro-Sicura® Quick/C

for buildings with basements

 PRESSING WATER

- Single-compartment house lead-in with **injection system**
- Use in **the most common wall types** with sealing in accordance with **DIN 18533 W2.1-E** or for **core bore in waterproof concrete (white tank)**
- For **all cable types (e.g. energy, fiber optical)**
- with seal flange in accordance with **DIN 18533 (black tank)**
- ideal for **new connections** in existing buildings



25  
years  
guarantee



## PRODUCT ADVANTAGES

- With Easy Fix System for easy, fast and safe installation
- Installation without additional tensioning device
- Ideal for sealing existing bitumen thick coatings
- Can even be used with conventional hollow bricks without filling
- Quick installation
- Suitable for building renovations

## TECHNICAL DETAILS

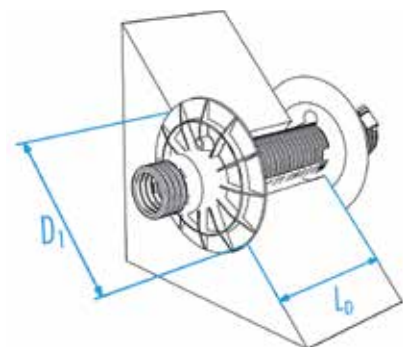
- Leak-tight against gas and pressing water
- radon-tight – according to FHRK information sheet MB101 meets the requirements for radon precautionary areas
- For open design
- For the most common pipe and cable diameters
- Integrated plug sealing
- Can be used either as a single or multiple seal
- Without additional shrinking
- For bores in the most common wall types with sealing in accordance with DIN 18533 W2.1-E and for core bores in waterproof concrete (white tank)

## THE HOUSE LEAD-IN CONSISTS OF

- Quadro-Sicura® Quick/C
- Expansion resin

Sealing	Diameter of the pipes
Multiple pipes	4 x 5 – 10 mm
Single pipes	10 – 34 mm

Dimensions	
Core bore/pipe sleeve $\emptyset$	60 – 64 mm
Wall thicknesses, $L_0$	200 – 600 mm or 200 – 1200 mm
Internal and external sealing, $D_1$	153 mm



## ACCESSORIES – RECOMMENDED

- 2K cartridge gun



---

Product	Wall thickness	Article number
Quadro-Secura® Quick/C	200 - 600 mm	2650 000 064 1 0
Quadro-Secura® Quick/C	200 - 1200 mm	2650 371 390 1 0

## ACCESSORIES

Product	Article number
Sealing kit Quadro-Secura® Quick/C	2980 953 000 0 0