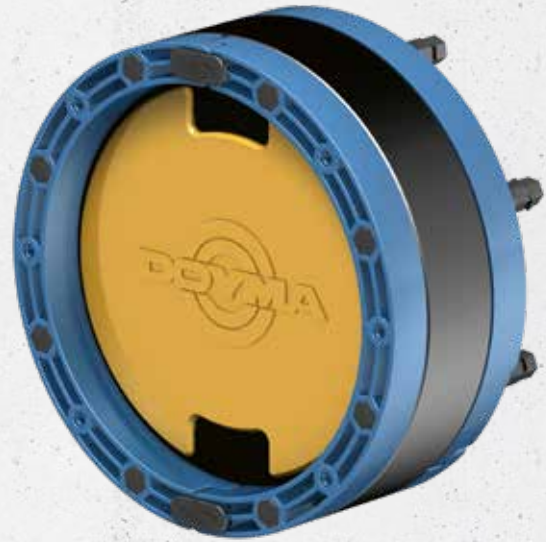


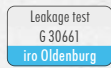
Curaflex Nova[®] Uno/0

NON-PRESSING WATER
PRESSING WATER

- Sealing of penetrations
- Use in on-site pipe sleeve or waterproof concrete core bore (white tank)
- Permanent plug seal



DOYMA GRIP



25 years guarantee



PRODUCT ADVANTAGES

- With ITL system for optimal contact pressure – can also be installed with a cordless screwdriver
- With removable sealing plugs, making it suitable for pipe routing
- Permanently sealed – no need to re-tension later (maintenance-free)
- Greater sealing performance of the gasket insert thanks to DOYMA-Grip

TECHNICAL DETAILS

- Certified under FHRK test regulation GE 101 (no. G 30 322-2-5) - FHRK 40 LD10
- Gas and water-tight
- Radon-tight – according to FHRK information sheet MB101 meets the requirements for radon precautionary areas
- Plug seal, removable
- 40 mm sealing width

THE GASKET INSERT CONSISTS OF:

- Blue frame rings made of high-performance plastic
- Elastomer sealing ring, 40 mm wide, made of EPDM (DOYMA-Grip), optional NBR (fuel/oil-resistant)
- ITL nuts
- A4 stainless steel screws
- Plastic sealing plugs

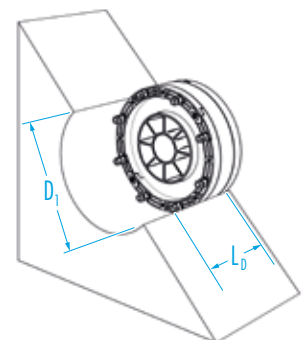
Simply scan and get detailed information!



ACCESSORIES (OPTIONAL)*

- Aquagard core bore sealant
- Fixing tabs
- ITL nut set

* see corresponding section



Curaflex Nova® Uno/0

Inner diameter of pipe sleeve / core bore D _i [DN in mm]	Outer diameter of pipe/cable [mm]*	Article number
80 (79 – 83)	30 – 35	1 88 1 000 080 4 0
100 (99 – 104)	30 – 35	1 88 1 000 100 4 0
150 (149 – 153)	62 – 63	1 88 1 000 150 4 0
200 (199 – 203)	108 – 112	1 88 1 000 200 4 0
250 (249 – 253)	158 – 161	1 88 1 000 250 4 0
300 (299 – 303)	198 – 201	1 88 1 000 300 4 0

L₀ (max. design length) [mm]: 100

*Suitable for pipe routing after sealing plug is removed.