

Curaflex® SD

NON-PRESSING WATER
 PRESSING WATER

- Sealing of duct systems
- Installation in pre-installed pipe sleeve or concrete core bore
- For use with existing fresh concrete bonded waterproofing membrane
- With additional seal flange and butyl sealing tape



DOYMA GRIP

Leakage test
PB 5.1/17-206-1
MFA Leipzig

RADON TIGHT
IAF GmbH

25 years
guarantee

PRODUCT ADVANTAGES

- Large sealing areas
- Permanently sealed – no need to re-tension later (maintenance-free)
- Greater sealing performance of the gasket insert thanks to DOYMA-Grip
- System component, without cuts or divisions, with watertight welded bolts
- Integrated seal flange with butyl sealing tape to seal existing fresh concrete bonded waterproofing membrane

TECHNICAL DETAILS

- With seal flange in accordance with DIN 18533
- Gas and watertight
- Radon-tight – according to FHRK information sheet MB101 meets the requirements for radon precautionary areas
- Mounting from the pressure-facing side
- Certified with fresh concrete bonded sheet membrane system SikaProof A®
- Certified with fresh concrete bonded sheet membrane system Preprufe®
- tested with fresh concrete composite system wolfseal FBV sealing membrane

THE GASKET INSERT CONSISTS OF:

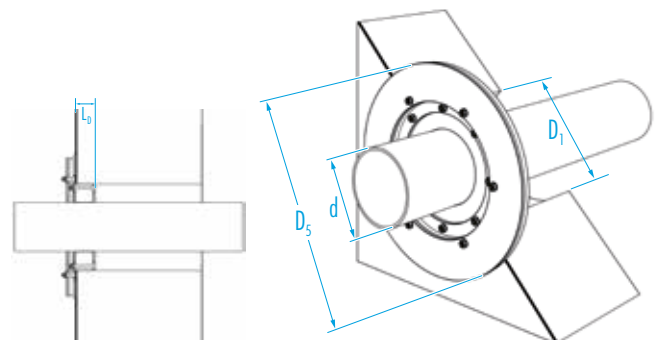
- **Frame rings:** steel rings, GGV triple corrosion protection coating; optionally made of stainless steel 1.4301 (V2A) or 1.4571 / 1.4404 (V4A)
- With integrated seal flange including butyl sealing tape (type 1753)
- **Rubber seal:** elastomer, DN 80 to DN 300, 1 × 40 mm thick EPDM seals (DOYMA-Grip) and DN 350 to DN 600, optionally 2 × 40 mm thick EPDM seals, optional NBR (fuel/oil-resistant)



ACCESSORIES (OPTIONAL)*

- Aquagard core bore sealant

* see corresponding section



Curaflex® SD

Inner diameter of pipe sleeve / core bore D _i [DN in mm]	Outer diameter of pipe / cable d [mm]	Outer diameter of fixed flange D5 max. [mm]	Article number
80 (79 – 83)	17 – 20	200	1 04 6 020 080 0 0
	21 – 24		1 04 6 022 080 0 0
	25 – 29		1 04 6 025 080 0 0
	30 – 35		1 04 6 032 080 0 0
	36 – 40		1 04 6 040 080 0 0
100 (99 – 104)	5 – 8	220	1 04 6 008 100 0 0
	9 – 12		1 04 6 012 100 0 0
	13 – 16		1 04 6 015 100 0 0
	17 – 20		1 04 6 020 100 0 0
	21 – 24		1 04 6 022 100 0 0
	25 – 29		1 04 6 025 100 0 0
	30 – 35		1 04 6 032 100 0 0
	40 – 45		1 04 6 040 100 0 0
	46 – 52		1 04 6 050 100 0 0
	53 – 57		1 04 6 056 100 0 0
125 (124 – 128)	58 – 63	245	1 04 6 063 125 0 0
	64 – 68		1 04 6 065 125 0 0
	73 – 78		1 04 6 075 125 0 0
150 (149 – 153)	63 – 68	270	1 04 6 063 150 0 0
	73 – 78		1 04 6 075 150 0 0
	87 – 92		1 04 6 090 150 0 0
	98 – 104		1 04 6 098 150 0 0
	105 – 112		1 04 6 110 150 0 0
200 (199 – 203)	108 – 113	320	1 04 6 110 200 0 0
	114 – 118		1 04 6 118 200 0 0
	124 – 128		1 04 6 125 200 0 0
	132 – 135		1 04 6 135 200 0 0
	139 – 144		1 04 6 140 200 0 0
	145 – 150		1 04 6 148 200 0 0
	154 – 160		1 04 6 160 200 0 0
250 (249 – 253)	158 – 161	385	1 04 6 160 250 0 0
	162 – 163		1 04 6 163 250 0 0
	164 – 169		1 04 6 168 250 0 0
	170 – 174		1 04 6 170 250 0 0
	175 – 180		1 04 6 180 250 0 0
	185 – 189		1 04 6 187 250 0 0
	198 – 201		1 04 6 200 250 0 0
300 (299 – 303)	198 – 201	435	1 04 6 200 300 0 0
	209 – 212		1 04 6 210 300 0 0
	215 – 220		1 04 6 219 300 0 0
	221 – 225		1 04 6 225 300 0 0
350 (347 – 354)	241 – 249	490	1 04 6 242 350 0 0
	250 – 259		1 04 6 250 350 0 0
	270 – 278		1 04 6 273 350 0 0
	279 – 288		1 04 6 280 350 0 0
400 (397 – 404)	295 – 300	550	1 04 6 296 400 0 0
	312 – 317		1 04 6 315 400 0 0
	323 – 327		1 04 6 323 400 0 0
450 (447 – 454)	351 – 356	600	1 04 6 355 450 0 0
500 (497 – 503)	398 – 403	650	1 04 6 400 500 0 0
	404 – 409		1 04 6 406 500 0 0
	426 – 430		1 04 6 429 500 0 0

max. design length L_g [mm] 50 (ab DN 350: 90)

Further material combinations and dimensions available upon request.

