

Curaflex® C/S

 PRESSING WATER

- Sealing of penetrations
- Use in **on-site pipe sleeve** or **waterproof concrete core bore** (white tank)
- For **openings that are too large or too small**
- With **custom dimensions**



DOYMA
GRIP



25
years
guarantee

PRODUCT ADVANTAGES

- Permanently sealed – no need to re-tension later (maintenance-free)
- Greater sealing performance of the gasket insert thanks to DOYMA-Grip
- System component, without cuts or divisions, with water-tight welded bolts
- Produced in accordance with specifications

TECHNICAL DETAILS

- Certified under FHRK test regulation GE 101 (no. G 30 322-2-2) - FHRK 57 LD10
- Gas and water-tight
- Radon-tight – according to FHRK information sheet MB101 meets the requirements for radon precautionary areas
- Bending of medium pipes up to 8° is possible
- Can accommodate axial movements
- Twin sealing

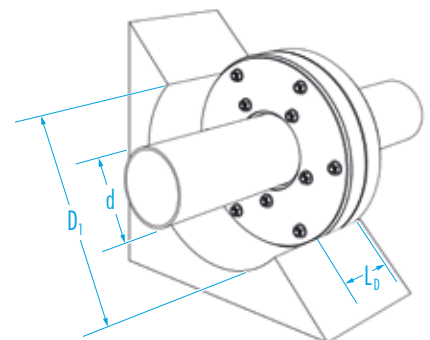
THE GASKET INSERT CONSISTS OF:

- **Frame rings:** steel rings, GGV triple corrosion protection coating; optionally made of stainless steel 1.4301 (V2A) or 1.4571/1.4404 (V4A)
- **Rubber seal:** elastomer, 2 × 27 mm thick EPDM seals (DOYMA-Grip), optional EPDM-TW, NBR (fuel/oil-resistant) or silicone (high temperature-resistant) or FPM (chemical-resistant)
- 3 mm thick orange centre ring (up to KB/DN 350)



ACCESSORIES (OPTIONAL)*

- Aquagard core bore sealant
- * see corresponding section



Curaflex® C/S

Inner diameter of pipe sleeve / core bore D ₁ [DN in mm]	Outer diameter of pipe / cable d [mm]	Article number
100 (99 – 104)	9 – 14	1 03 0 012 100 0 0
	15 – 21	1 03 0 020 100 0 0
	22 – 28	1 03 0 025 100 0 0
	29 – 35	1 03 0 032 100 0 0
	36 – 40	1 03 0 040 100 0 0
	58 – 65	1 03 0 063 100 0 0
125 (124 – 128)	40 – 48	1 03 0 040 125 0 0
	49 – 57	1 03 0 050 125 0 0
130 (129 – 133)	58 – 67	1 03 0 063 130 0 0
	68 – 77	1 03 0 075 130 0 0
150 (149 – 153)	57 – 62	1 03 0 060 150 0 0
	63 – 70	1 03 0 063 150 0 0
	71 – 77	1 03 0 075 150 0 0
	108 – 115	1 03 0 110 150 0 0
160 (159 – 163)	78 – 85	1 03 0 078 160 0 0
	86 – 94	1 03 0 090 160 0 0
	95 – 104	1 03 0 098 160 0 0
200 (199 – 204)	78 – 86	1 03 0 078 200 0 0
	87 – 95	1 03 0 090 200 0 0
	96 – 104	1 03 0 098 200 0 0
250 (247 – 253)	105 – 114	1 03 0 110 250 0 0
	115 – 121	1 03 0 118 250 0 0
	122 – 129	1 03 0 125 250 0 0
	130 – 136	1 03 0 135 250 0 0
	137 – 145	1 03 0 140 250 0 0
300 (297 – 304)	158 – 168	1 03 0 160 300 0 0
	169 – 179	1 03 0 170 300 0 0
	180 – 190	1 03 0 180 300 0 0

L₀ (max. design length) [mm]: 85

Further material combinations and dimensions available upon request.