


Curaflex® C/M

 PRESSING WATER

- Sealing of penetrations
- Use in **on-site pipe sleeve** or **waterproof concrete core bore** (white tank)
- For **multiple pipes**



PRODUCT ADVANTAGES

- Permanently sealed – no need to re-tension later (maintenance-free)
- Greater sealing performance of the gasket insert thanks to DOYMA-Grip
- System component, without cuts or divisions, with water-tight welded bolts

TECHNICAL DETAILS

- Certified under FHRK test regulation GE 101 (no. G 30 322-2-2) - FHRK 57 LD10
- Gas and water-tight
- Radon-tight – according to FHRK information sheet MB101 meets the requirements for radon precautionary areas
- Bending of medium pipes up to 8° is possible
- Can accommodate axial movements
- Twin sealing

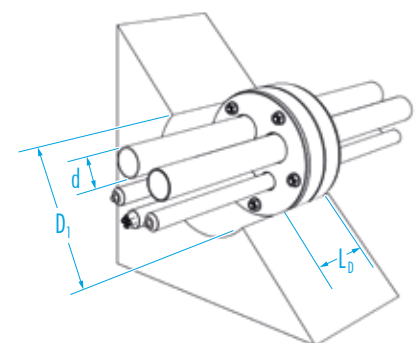
THE GASKET INSERT CONSISTS OF:

- **Frame rings:** steel rings, GGV triple corrosion protection coating; optionally made of stainless steel 1.4301 (V2A) or 1.4571/1.4404 (V4A)
- **Rubber seal:** elastomer, 2 × 27 mm thick EPDM seals (DOYMA-Grip), optional EPDM-TW, NBR (fuel/oil-resistant) or silicone (high temperature-resistant) or FPM (chemical-resistant)
- 3 mm thick orange centre ring (up to KB/DN 350))

ACCESSORIES (OPTIONAL)*

- Aquagard core bore sealant

* see corresponding section



Curaflex® C/M

Outer diameter of pipe / cable* d [mm]	Number of pipes	Inner diameter of pipe sleeve / core bore D _i [DN in mm]
5 – 14	1 – 2	50 (49 – 53)
5 – 26	1 – 2	80 (79 – 83)
5 – 23	1 – 3	
5 – 24	1 – 4	
5 – 16	1 – 7	
1 x 5 – 32 1 x 5 – 14	1 – 2	
4 x 5 – 28 1 x 5 – 12	1 – 5	100 (99 – 104)
5 – 21	1 – 7	
5 – 37	1 – 2	
5 – 33	1 – 3	
1 x 5 – 46 1 x 5 – 16	1 – 2	
5 – 36	1 – 4	125 (124 – 128)
2 x 5 – 34 2 x 5 – 42	1 – 4	
5 – 28	1 – 7	
5 – 41	1 – 3	
2 x 23 – 51 2 x 8 – 36	1 – 4	150 (149 – 153)
2 x 30 – 58 2 x 13 – 41	1 – 4	
4 x 22 – 50 1 x 5 – 16	1 – 5	
5 – 20	1 – 13	
6 x 8 – 36 2 x 5 – 16	1 – 8	
43 – 71	1 – 3	200 (199 – 204)
5 x 23 – 51 1 x 5 – 31	1 – 6	
2 x 28 – 56 2 x 54 – 82	1 – 4	
40 – 69	1 – 4	
5 – 36	1 – 10	
5 – 26	1 – 15	
8 x 13 – 41 4 x 5 – 30	1 – 12	
5 – 26	1 – 20	250 (247 – 253)
12 – 40	1 – 8	
10 x 16 – 44 5 x 5 – 36	1 – 15	
L ₀ (max. design length) [mm] 90		

*The precise outer diameter and number of pipes must be specified in your order. No article numbers. Further dimensions available upon request.