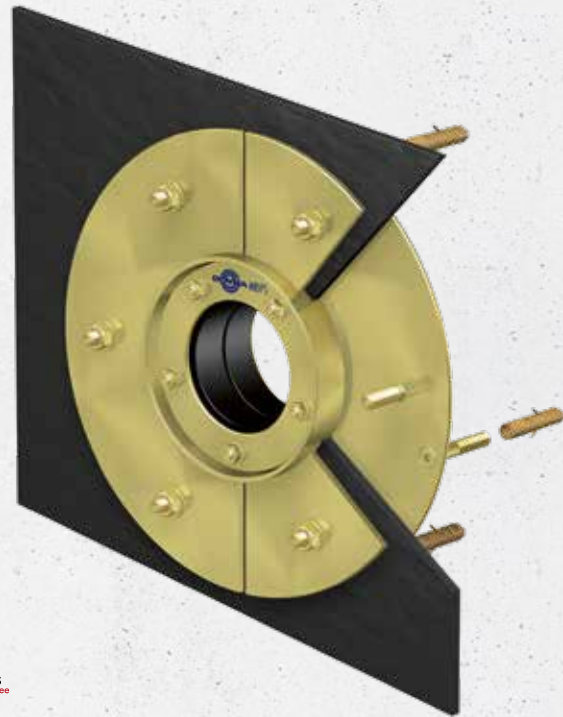


Curaflex® C/2/SD/6

PRESSING WATER

- Sealing of penetrations
- Use in **on-site pipe sleeve** or **concrete core bore**
- For use with **tanking membranes** or **thick coating** (black tank)
- With **fixed and loose flange**



DOYMA GRIP

DPS

Leakage test
22 1295 797-01
MPA NRW

Leakage test
PB 5.1/17-206-1
MfPA Leipzig

FHRK
QUALITY

RADON TIGHT
IAF GmbH

25 years
guarantee

PRODUCT ADVANTAGES

- Large sealing areas
- Permanently sealed – no need to re-tension later (maintenance-free)
- Greater sealing performance of the gasket insert thanks to DPS and DOYMA-Grip
- System component, without cuts or divisions, with water-tight welded bolts
- Integrated fixed and loose flange (loose flange split)

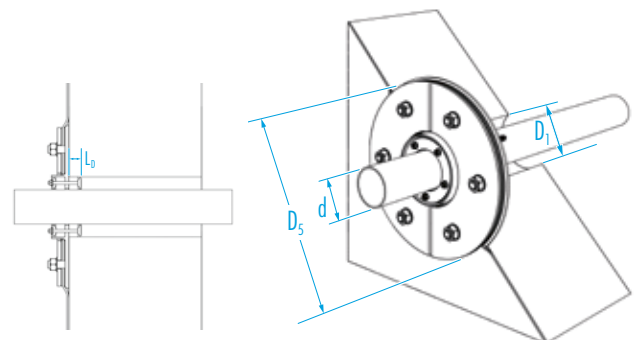
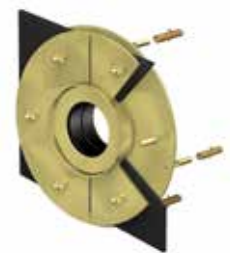
TECHNICAL DETAILS

- Certified under FHRK test regulation GE 101 (no. G 30 322-2-2) - FHRK 54 LD10
- With flanges in accordance with DIN 18195/DIN 18533
- Gas and water-tight
- Radon-tight – according to FHRK information sheet MB101 meets the requirements for radon precautionary areas
- Bending of medium pipes up to 8° is possible
- Can accommodate axial movements
- Mounting from the pressure-facing side
- Depending on the tanking membrane, installed with Curaflex® packings (1775) arranged on both sides where there is thin and hard film, or accessories where there is a thick coating (1776): sanding of the contact surfaces of the fixed/loose flange

THE GASKET INSERT CONSISTS OF:

- **Frame rings:** asymmetrically profiled steel rings (DPS to KB/DN 350), GGV triple corrosion protection coating; optionally made of stainless steel 1.4301 (V2A) or 1.4571/1.4404 (V4A)
- With integrated fixed and loose flange
- **Rubber seal:** elastomer, 2 × 27 mm thick EPDM seals (DOYMA-Grip), optional EPDM-TW, NBR (fuel/oil-resistant) or silicone (high temperature-resistant) or FPM (chemical-resistant)

Variant: Curaflex® F/2/SD/6 – properties as described above, but with mounting from the non-pressure-facing side ('dry side').



ACCESSORIES (OPTIONAL)*



- Curaflex® packings (1775) for thin, hard films
- Accessories for thick coating
- Punch for thick coating

* see corresponding section

Curaflex® C/2/SD/6

Inner diameter of pipe sleeve / core bore D ₁ [DN in mm]	Outer diameter of pipe / cable d [mm]	Outer diameter of fixed flange D ₃ max. [mm]	GGV	GGV / sanded for thick coating	Accessories for plastic tanking membranes
			Article number	Article number	
80 (79 – 83)	7 – 13	420	1 03 6 012 080 0 0	1 03 6 012 080 5 0	1 99 6 775 080 2 0
	14 – 21		1 03 6 020 080 0 0	1 03 6 020 080 5 0	
	22 – 28		1 03 6 025 080 0 0	1 03 6 025 080 5 0	
	29 – 35		1 03 6 032 080 0 0	1 03 6 032 080 5 0	
	36 – 40		1 03 6 040 080 0 0	1 03 6 040 080 5 0	
100 (99 – 104)	41 – 45	440	1 03 6 042 100 0 0	1 03 6 042 100 5 0	1 99 6 775 100 2 0
	46 – 52		1 03 6 050 100 0 0	1 03 6 050 100 5 0	
	53 – 57		1 03 6 056 100 0 0	1 03 6 056 100 5 0	
125 (124 – 128)	58 – 67	465	1 03 6 063 125 0 0	1 03 6 063 125 5 0	1 99 6 775 125 2 0
	68 – 77		1 03 6 075 125 0 0	1 03 6 075 125 5 0	
150 (149 – 153)	78 – 85	490	1 03 6 078 150 0 0	1 03 6 078 150 5 0	1 99 6 775 150 2 0
	86 – 94		1 03 6 090 150 0 0	1 03 6 090 150 5 0	
	95 – 104		1 03 6 098 150 0 0	1 03 6 098 150 5 0	
200 (199 – 204)	105 – 115	540	1 03 6 110 200 0 0	1 03 6 110 200 5 0	1 99 6 775 200 2 0
	116 – 124		1 03 6 118 200 0 0	1 03 6 118 200 5 0	
	125 – 135		1 03 6 125 200 0 0	1 03 6 125 200 5 0	
	136 – 145		1 03 6 140 200 0 0	1 03 6 140 200 5 0	
250 (247 – 253)	146 – 156	590	1 03 6 148 250 0 0	1 03 6 148 250 5 0	1 99 6 775 250 2 0
	157 – 165		1 03 6 160 250 0 0	1 03 6 160 250 5 0	
	166 – 172		1 03 6 170 250 0 0	1 03 6 170 250 5 0	
	173 – 179		1 03 6 175 250 0 0	1 03 6 175 250 5 0	
	180 – 186		1 03 6 180 250 0 0	1 03 6 180 250 5 0	
	187 – 190		1 03 6 190 250 0 0	1 03 6 190 250 5 0	
300 (297 – 304)	191 – 197	640	1 03 6 196 300 0 0	1 03 6 196 300 5 0	1 99 6 775 300 2 0
	198 – 207		1 03 6 200 300 0 0	1 03 6 200 300 5 0	
	208 – 215		1 03 6 210 300 0 0	1 03 6 210 300 5 0	
	216 – 224		1 03 6 222 300 0 0	1 03 6 222 300 5 0	
	225 – 233		1 03 6 225 300 0 0	1 03 6 225 300 5 0	
350 (347 – 354)	234 – 240	690	1 03 6 240 350 0 0	1 03 6 240 350 5 0	1 99 6 775 350 2 0
	241 – 249		1 03 6 242 350 0 0	1 03 6 242 350 5 0	
	250 – 259		1 03 6 250 350 0 0	1 03 6 250 350 5 0	
	260 – 269		1 03 6 265 350 0 0	1 03 6 265 350 5 0	
	270 – 278		1 03 6 273 350 0 0	1 03 6 273 350 5 0	
	279 – 288		1 03 6 280 350 0 0	1 03 6 280 350 5 0	
400 (397 – 404)	289 – 294	740	1 03 6 290 400 0 0	1 03 6 290 400 5 0	1 99 6 775 400 2 0
	295 – 300		1 03 6 296 400 0 0	1 03 6 296 400 5 0	
	301 – 306		1 03 6 306 400 0 0	1 03 6 306 400 5 0	
	307 – 311		1 03 6 310 400 0 0	1 03 6 310 400 5 0	
	312 – 317		1 03 6 315 400 0 0	1 03 6 315 400 5 0	
	318 – 322		1 03 6 320 400 0 0	1 03 6 320 400 5 0	
	323 – 327		1 03 6 323 400 0 0	1 03 6 323 400 5 0	
	328 – 333		1 03 6 328 400 0 0	1 03 6 328 400 5 0	
	334 – 339		1 03 6 336 400 0 0	1 03 6 336 400 5 0	
	340 – 344		1 03 6 340 450 0 0	1 03 6 340 450 5 0	
450 (447 – 454)	345 – 350	790	1 03 6 350 450 0 0	1 03 6 350 450 5 0	1 99 6 775 450 2 0
	351 – 356		1 03 6 355 450 0 0	1 03 6 355 450 5 0	
	357 – 362		1 03 6 362 450 0 0	1 03 6 362 450 5 0	
	363 – 368		1 03 6 368 450 0 0	1 03 6 368 450 5 0	
	369 – 370		1 03 6 370 450 0 0	1 03 6 370 450 5 0	
	371 – 375		1 03 6 375 450 0 0	1 03 6 375 450 5 0	
	376 – 380		1 03 6 380 450 0 0	1 03 6 380 450 5 0	
	381 – 386		1 03 6 386 500 0 0	1 03 6 386 500 5 0	
500 (497 – 503)	387 – 392	840	1 03 6 392 500 0 0	1 03 6 392 500 5 0	1 99 6 775 500 2 0
	393 – 397		1 03 6 397 500 0 0	1 03 6 397 500 5 0	
	398 – 403		1 03 6 400 500 0 0	1 03 6 400 500 5 0	
	404 – 409		1 03 6 406 500 0 0	1 03 6 406 500 5 0	
	410 – 415		1 03 6 410 500 0 0	1 03 6 410 500 5 0	
	416 – 420		1 03 6 420 500 0 0	1 03 6 420 500 5 0	
	421 – 425		1 03 6 425 500 0 0	1 03 6 425 500 5 0	
	426 – 430		1 03 6 429 500 0 0	1 03 6 429 500 5 0	

L₂ (max. design depth) [mm]: 40 (for F/2/SD/6: 50 mm)

Further material combinations and dimensions available upon request.

