

Curaflex® C/0

 PRESSING WATER

- Sealing of penetrations
- Use in **on-site pipe sleeve** or **waterproof concrete core bore** (white tank)
- Permanent **plug seal**



DOYMA
GRIP

Leakage test
G 30661
Iro Oldenburg

Sound protection
2075/5673-DK-br
IBMB



RADON TIGHT
IAF GmbH

25
years
guarantee

PRODUCT ADVANTAGES

- Permanently sealed – no need to re-tension later (maintenance-free)
- Greater sealing performance of the gasket insert thanks to DOYMA-Grip
- Water-tight welded bolts

TECHNICAL DETAILS

- Certified under FHRK test regulation GE 101 (no. G 30 322-2-2) - FHRK 57 D10
- Gas and water-tight
- Radon-tight – according to FHRK information sheet MB101 meets the requirements for radon precautionary areas
- Twin 'plugged'-sealing

THE GASKET INSERT CONSISTS OF:

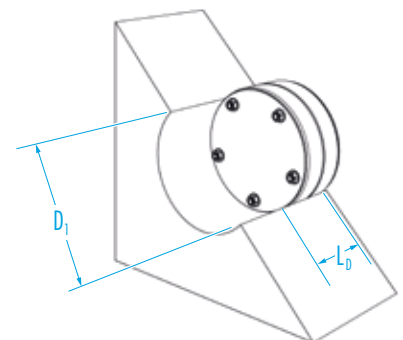
- **Frame rings:** steel rings, GGV triple corrosion protection coating; optionally made of stainless steel 1.4301 (V2A) or 1.4571/1.4404 (V4A)
- **Rubber seal:** elastomer, 2 × 27 mm thick EPDM seals (DOYMA-Grip), optional EPDM-TW, NBR (fuel/oil-resistant) or silicone (high temperature-resistant) or FPM (chemical-resistant)
- 3 mm thick orange centre ring (up to KB/DN 350)



ACCESSORIES (OPTIONAL)*

- Aquagard core bore sealant

* see corresponding section



Curaflex® C/O

Inner diameter of pipe sleeve / core bore D_1 [DN in mm]	Article number
50 (49 – 53)	1 03 0 000 050 0 0
80 (79 – 83)	1 03 0 000 080 0 0
100 (99 – 104)	1 03 0 000 100 0 0
125 (124 – 128)	1 03 0 000 125 0 0
150 (149 – 153)	1 03 0 000 150 0 0
200 (199 – 204)	1 03 0 000 200 0 0
250 (247 – 253)	1 03 0 000 250 0 0
300 (297 – 304)	1 03 0 000 300 0 0
350 (347 – 354)	1 03 0 000 350 0 0
400 (397 – 404)	1 03 0 000 400 0 0
450 (447 – 454)	1 03 0 000 450 0 0
500 (497 – 503)	1 03 0 000 500 0 0

L_0 (max. design length) [mm]: 90

Further material combinations and dimensions available upon request.