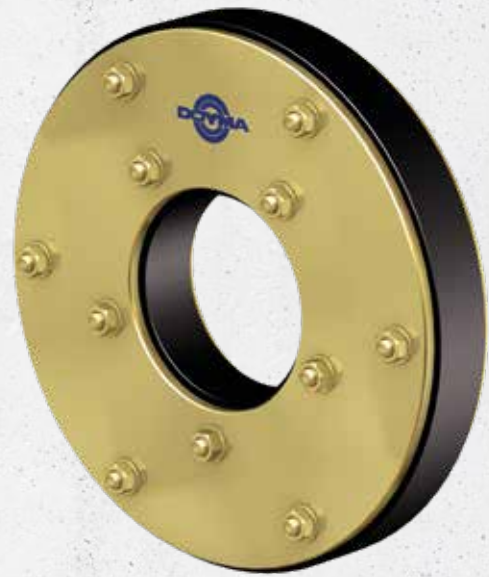


Curaflex® A/S

NON-PRESSING WATER

- Sealing of duct systems
- Installation in **pre-installed pipe sleeve** or **core bore in waterproof concrete (white tank)**
- For **openings that are too large or too small**
- With **custom dimensions**



DOYMA
GRIP



25
years
guarantee

PRODUCT ADVANTAGES

- Large sealing areas
- Permanently sealed – no need to re-tension later (maintenance-free)
- Greater sealing performance of the gasket insert thanks to DOYMA-Grip
- System component, without cuts or divisions, with watertight welded bolts
- Produced in accordance with specifications

TECHNICAL DETAILS

- Certified under FHRK test regulation GE 101 (no. G 30 322-2-1) – FHRK 27 D01
- Gas and watertight
- Radon-tight – according to FHRK information sheet MB101 meets the requirements for radon precautionary areas
- Bending of medium pipes up to 8° is possible
- Can accommodate axial movements
- Single sealing

THE GASKET INSERT CONSISTS OF:

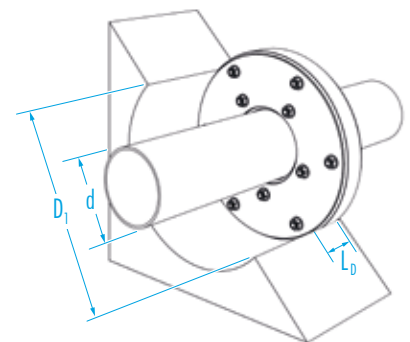
- **Frame rings:** steel rings, GGV triple corrosion protection coating; optionally made of stainless steel 1.4301 (V2A) or 1.4571 / 1.4404 (V4A)
- **Rubber seal:** elastomer, 27 mm thick EPDM seal (DOYMA-Grip), optional EPDM-TW, NBR (fuel/oil-resistant) or silicone (high temperature-resistant) or FPM (chemical-resistant)



ACCESSORIES (OPTIONAL)*

- Aquagard core bore sealant

* see corresponding section



Curaflex® A/S

| Inner diameter of pipe sleeve / core bore D _i [DN in mm] | Outer diameter of pipe / cable d [mm] | Article number |
|--|--|--------------------|
| 100 (99 – 104) | 9 – 14 | 1 01 0 012 100 0 0 |
| | 15 – 21 | 1 01 0 020 100 0 0 |
| | 22 – 28 | 1 01 0 025 100 0 0 |
| | 29 – 35 | 1 01 0 032 100 0 0 |
| | 36 – 40 | 1 01 0 040 100 0 0 |
| | 58 – 65 | 1 01 0 063 100 0 0 |
| 125 (124 – 128) | 40 – 48 | 1 01 0 040 125 0 0 |
| | 49 – 57 | 1 01 0 050 125 0 0 |
| 130 (129 – 133) | 58 – 67 | 1 01 0 063 130 0 0 |
| | 68 – 77 | 1 01 0 075 130 0 0 |
| 150 (149 – 153) | 57 – 62 | 1 01 0 060 150 0 0 |
| | 63 – 70 | 1 01 0 063 150 0 0 |
| | 71 – 77 | 1 01 0 075 150 0 0 |
| | 108 – 115 | 1 01 0 110 150 0 0 |
| 160 (159 – 163) | 78 – 85 | 1 01 0 078 160 0 0 |
| | 86 – 94 | 1 01 0 090 160 0 0 |
| | 95 – 104 | 1 01 0 098 160 0 0 |
| 200 (199 – 204) | 78 – 86 | 1 01 0 078 200 0 0 |
| | 87 – 95 | 1 01 0 090 200 0 0 |
| | 96 – 104 | 1 01 0 098 200 0 0 |
| 250 (247 – 253) | 105 – 114 | 1 01 0 110 250 0 0 |
| | 115 – 121 | 1 01 0 118 250 0 0 |
| | 122 – 129 | 1 01 0 125 250 0 0 |
| | 130 – 136 | 1 01 0 135 250 0 0 |
| | 137 – 145 | 1 01 0 140 250 0 0 |
| 300 (297 – 304) | 158 – 168 | 1 01 0 160 300 0 0 |
| | 169 – 179 | 1 01 0 170 300 0 0 |
| | 180 – 190 | 1 01 0 180 300 0 0 |

L_b (max. design length): 55 mm

Further material combinations and dimensions available upon request.