

Curaflex® A/M/T

NON-PRESSING WATER

- Sealing of duct systems
- Installation in **pre-installed pipe sleeve** or **core bore in waterproof concrete** (white tank)
- For **multiple pipes and cables**
- **Split version**, for **pipes and cables that are already installed**



DOYMA GRIP



25 years guarantee

PRODUCT ADVANTAGES

- Permanently sealed – no need to re-tension later (maintenance-free)
- Greater sealing performance of the gasket insert thanks to DOYMA-Grip
- Watertight welded bolts
- For retrofitting around existing pipes and cables

TECHNICAL DETAILS

- Certified under FHRK test regulation GE 101 (no. G 30 322-2-1) – FHRK 27 D01
- Gas and watertight
- Radon-tight – according to FHRK information sheet MB101 meets the requirements for radon precautionary areas
- Bending of medium pipes up to 8° is possible
- Can accommodate axial movements
- Single sealing
- Split version

THE GASKET INSERT CONSISTS OF:

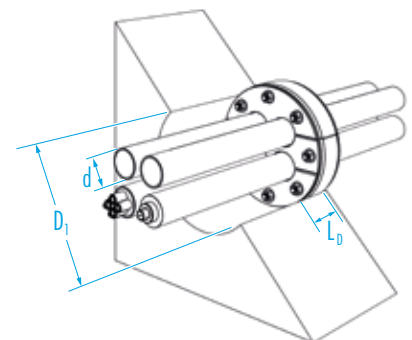
- **Split frame rings:** steel rings, GGK triple corrosion protection coating; optionally made of stainless steel 1.4301 (V2A) or 1.4571 / 1.4404 (V4A)
- **Split rubber seal:** elastomer, 27 mm thick EPDM seal (DOYMA-Grip), optional EPDM-TW, NBR (fuel/oil-resistant) or silicone (high temperature-resistant) or FPM (chemical-resistant)



ACCESSORIES (OPTIONAL)*

- Aquagard core bore sealant

* see corresponding section



Curaflex® A/M/T

Outer diameter of pipe / cable* d [mm]	Number of pipes and cables	Inner diameter of pipe sleeve / core bore D ₁ [DN in mm]
5 – 21	1 – 3	80 (79 – 83)
5 – 37	1 – 2	100 (99 – 104)
5 – 26	1 – 4	
1 x 18 – 36 2 x 8 – 16	1 – 3	
1 x 8 – 22 4 x 8 – 16	1 – 5	
5 – 32	1 – 4	125 (124 – 128)
25 – 41	1 – 3	
2 x 5 – 46 2 x 5 – 36	1 – 4	150 (149 – 153)
15 – 31	1 – 9	200 (199 – 204)

L₀ (max. design length): 65 mm

*The precise outer diameter and number of pipes and cables must be specified in your order.
Further material combinations and dimensions available upon request. No article numbers.