

Curaflex® A/M

NON-PRESSING WATER

- Sealing of duct systems
- Installation in **pre-installed pipe sleeve** or **core bore in waterproof concrete (white tank)**
- For **multiple pipes and cables**



DOYMA
GRIP



RADON TIGHT
IAF GmbH

25
years
guarantee

PRODUCT ADVANTAGES

- Permanently sealed – no need to re-tension later (maintenance-free)
- Greater sealing performance of the gasket insert thanks to DOYMA-Grip
- System component, without cuts or divisions, with watertight welded bolts

TECHNICAL DETAILS

- Certified under FHRK test regulation GE 101 (no. G 30 322-2-1) – FHRK 27 D01
- Gas and watertight
- Radon-tight – according to FHRK information sheet MB101 meets the requirements for radon precautionary areas
- Bending of medium pipes up to 8° is possible
- Can accommodate axial movements
- Single sealing

THE GASKET INSERT CONSISTS OF:

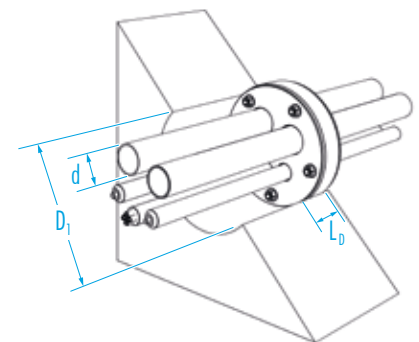
- **Frame rings:** steel rings, GGW triple corrosion protection coating; optionally made of stainless steel 1.4301 (V2A) or 1.4571 / 1.4404 (V4A)
- **Rubber seal:** elastomer, 27 mm thick EPDM seal (DOYMA-Grip), optional EPDM-TW, NBR (fuel/oil-resistant) or silicone (high temperature-resistant) or FPM (chemical-resistant)



ACCESSORIES (OPTIONAL)*

- Aquagard core bore sealant

* see corresponding section



Curaflex® A/M

| Outer diameter of pipe / cable* d [mm] | Number of pipes and cables | Inner diameter of pipe sleeve / core bore D ₁ [DN in mm] |
|---|-------------------------------|--|
| 5 – 14 | 1 – 2 | 50 (49 – 53) |
| 5 – 26 | 1 – 2 | 80 (79 – 83) |
| 5 – 23 | 1 – 3 | |
| 5 – 24 | 1 – 4 | |
| 5 – 16 | 1 – 7 | |
| 1 x 5 – 32 / 1 x 5 – 14 | 1 – 2 | |
| 4 x 5 – 28 / 1 x 5 – 12 | 1 – 5 | |
| 5 – 21 | 1 – 7 | 100 (99 – 104) |
| 5 – 37 | 1 – 2 | |
| 5 – 33 | 1 – 3 | |
| 1 x 5 – 46 / 1 x 5 – 16 | 1 – 2 | |
| 5 – 36 | 1 – 4 | 125 (124 – 128) |
| 2 x 5 – 34 / 2 x 5 – 42 | 1 – 4 | |
| 5 – 28 | 1 – 7 | |
| 5 – 41 | 1 – 3 | |
| 2 x 23 – 51 / 2 x 8 – 36 | 1 – 4 | 150 (149 – 153) |
| 2 x 30 – 58 / 2 x 13 – 41 | 1 – 4 | |
| 4 x 22 – 50 / 1 x 5 – 16 | 1 – 5 | |
| 5 – 20 | 1 – 13 | |
| 6 x 8 – 36 / 2 x 5 – 16 | 1 – 8 | |
| 43 – 71 | 1 – 3 | |
| 5 x 23 – 51 / 1 x 5 – 31 | 1 – 6 | |
| 2 x 28 – 56 / 2 x 54 – 82 | 1 – 4 | |
| 40 – 69 | 1 – 4 | |
| 5 – 36 | 1 – 10 | |
| 5 – 26 | 1 – 15 | |
| 8 x 13 – 41 / 4 x 5 – 30 | 1 – 12 | |
| 5 – 26 | 1 – 20 | 250 (247 – 253) |
| 12 – 40 | 1 – 8 | |
| 10 x 16 – 44 / 5 x 5 – 36 | 1 – 15 | |
| L ₀ (max. design length) [mm] 55 | | |

*The precise outer diameter and number of pipes and cables must be specified in your order. Further dimensions available upon request. No article numbers.