

Curaflex® A 40

NON-PRESSING WATER

- Sealing of duct systems
- Installation in **pre-installed pipe sleeve** or **core bore in waterproof concrete** (white tank)
- Extra wide soft EPDM rubber, ideal for **plastic jacket pipes**



PRODUCT ADVANTAGES

- Extra wide and soft EPDM rubber seal for especially gentle sealing on the media pipe
- Ideal for most plastic jacket pipes (district heating)
- Permanently sealed – no need to re-tension later (maintenance-free)
- Greater sealing performance of the gasket insert thanks to DPS
- Can be used for twin/element walls
- System component, without cuts or divisions, with watertight welded bolts

TECHNICAL DETAILS

- Certified under FHRK test regulation GE 101 (no. G 30 322-2-1) – FHRK 40 D01
- Gas and watertight
- Radon-tight – according to FHRK information sheet MB101 meets the requirements for radon precautionary areas
- Bending of medium pipes up to 8° is possible
- Can accommodate axial movements
- Single sealing

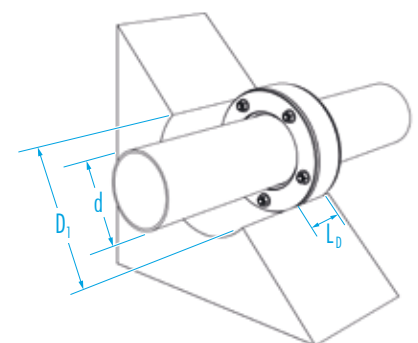
THE GASKET INSERT CONSISTS OF:

- **Frame rings:** asymmetrically profiled steel rings (DPS to KB / DN 350), GGV triple corrosion protection coating; optionally made of stainless steel 1.4301 (V2A) or 1.4571 / 1.4404 (V4A)
- **Rubber seal:** elastomer, 40 mm thick EPDM seal

ACCESSORIES (OPTIONAL)*

- Aquagard core bore sealant

* see corresponding section



Curaflex® A 40

Inner diameter of pipe sleeve / core bore D _i [DN in mm]	Outer diameter of pipe / cable d [mm]	Article number
125 (124 – 128)	58 – 67	1 01 4 063 125 0 0
	68 – 77	1 01 4 075 125 0 0
150 (149 – 153)	78 – 85	1 01 4 078 150 0 0
	86 – 94	1 01 4 090 150 0 0
	95 – 104	1 01 4 098 150 0 0
200 (199 – 204)	105 – 115	1 01 4 110 200 0 0
	116 – 124	1 01 4 118 200 0 0
	125 – 135	1 01 4 125 200 0 0
	136 – 145	1 01 4 140 200 0 0
250 (247 – 253)	146 – 156	1 01 4 148 250 0 0
	157 – 165	1 01 4 160 250 0 0
	166 – 172	1 01 4 170 250 0 0
	173 – 179	1 01 4 175 250 0 0
	180 – 186	1 01 4 180 250 0 0
	187 – 190	1 01 4 190 250 0 0
300 (297 – 304)	191 – 197	1 01 4 196 300 0 0
	198 – 207	1 01 4 200 300 0 0
	208 – 215	1 01 4 210 300 0 0
	216 – 224	1 01 4 222 300 0 0
	225 – 233	1 01 4 225 300 0 0
350 (347 – 354)	234 – 240	1 01 4 240 350 0 0
	241 – 249	1 01 4 242 350 0 0
	250 – 259	1 01 4 250 350 0 0
	260 – 269	1 01 4 265 350 0 0
	270 – 278	1 01 4 273 350 0 0
	279 – 288	1 01 4 280 350 0 0
400 (397 – 404)	289 – 339	–
450 (447 – 454)	340 – 380	–
500 (497 – 503)	381 – 430	–

L₀ (max. design length) [mm]: 70

Further material combinations and dimensions available upon request.