

Curaflex® A/0

NON-PRESSING WATER

- Sealing of duct systems
- Installation in **pre-installed pipe sleeve** or **core bore in waterproof concrete** (white tank)
- Permanent **plug seal**



DOYMA
GRIP



25
years
guarantee

PRODUCT ADVANTAGES

- Permanently sealed – no need to re-tension later (maintenance-free)
- Greater sealing performance of the gasket insert thanks to DOYMA-Grip
- Watertight welded bolts

TECHNICAL DETAILS

- Certified under FHRK test regulation GE 101 (no. G 30 322-2-1) – FHRK 27 D01
- Gas and watertight
- Radon-tight – according to FHRK information sheet MB101 meets the requirements for radon precautionary areas
- Single 'plugged' sealing

THE GASKET INSERT CONSISTS OF:

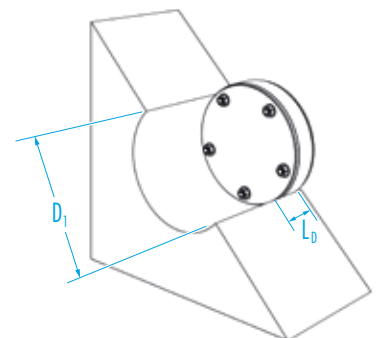
- **Frame rings:** steel rings, GGW triple corrosion protection coating; optionally made of stainless steel 1.4301 (V2A) or 1.4571 / 1.4404 (V4A)
- **Rubber seal:** elastomer, 27 mm thick EPDM seal (DOYMA-Grip), optional EPDM-TW, NBR (fuel/oil-resistant) or silicone (high temperature-resistant) or FPM (chemical-resistant)



ACCESSORIES (OPTIONAL)*

- Aquagard core bore sealant

* see corresponding section



Curaflex® A/O

Inner diameter of pipe sleeve / core bore D ₁ [DN in mm]	Article number
50 (49 – 53)	1 01 0 000 050 0 0
80 (79 – 83)	1 01 0 000 080 0 0
100 (99 – 104)	1 01 0 000 100 0 0
125 (124 – 128)	1 01 0 000 125 0 0
150 (149 – 153)	1 01 0 000 150 0 0
200 (199 – 204)	1 01 0 000 200 0 0
250 (247 – 253)	1 01 0 000 250 0 0
300 (297 – 304)	1 01 0 000 300 0 0
350 (347 – 354)	1 01 0 000 350 0 0
400 (397 – 404)	1 01 0 000 400 0 0
450 (447 – 454)	1 01 0 000 450 0 0
500 (497 – 503)	1 01 0 000 500 0 0

L_p (max. design length): 60 mm

Further material combinations and dimensions available upon request.