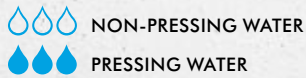


Curaflex® 9000



- Cut-out for duct systems
- Use in unfinished structures
- For waterproof concrete structures (white tank)
- For high static load capacity



PRODUCT ADVANTAGES

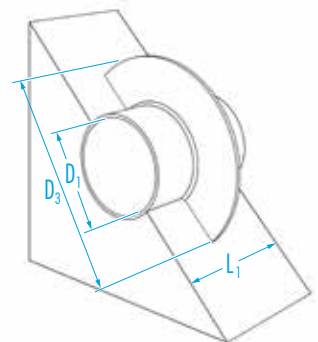
- Steel design, for high static load capacity
- Optimally designed inner wall for holding the DOYMA sealing systems and building services duct system
- For a white tank (waterproof concrete structures without tanking membranes/thick coatings)

TECHNICAL DETAILS

- Gas and watertight
- Radon proof – according to FHRK information sheet MB101
- 75 mm circumferential middle flange made of steel (can optionally be welded at any point)
- Middle flange can be used as a bonding or wall flange if necessary
- Certified under FHRK test regulation GE 102 (no. G 30 322-2-10)

MATERIAL

- Steel, GGV triple corrosion protection coating; optionally made of stainless steel 1.4301 (V2A) or 1.4571 / 1.4404 (V4A)



Curaflex® 9000

Inner diameter of pipe sleeve D ₁ [DN in mm]	Diameter of middle flange D ₃ max. [mm]	Standard lengths L ₁ [mm]
80	240	
100	260	
125	285	
150	310	
200	360	
250	410	200 240 250 300 350 365 400
300	460	
350	510	
400	560	
450	610	
500	660	
600	760	
700	860	

Further material combinations and dimensions available upon request.