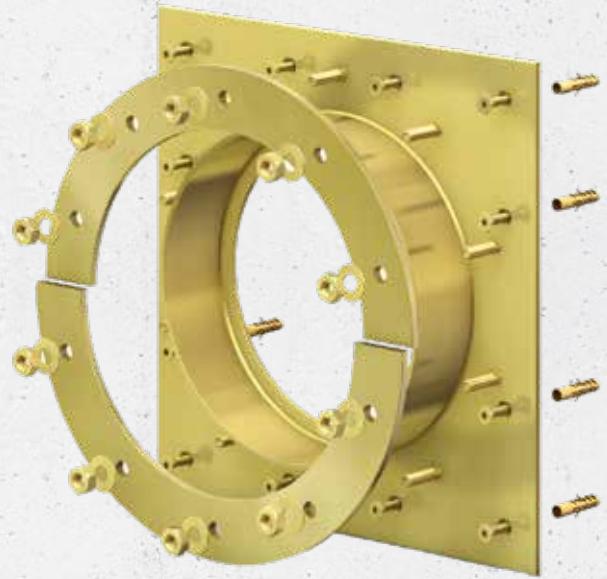


Curaflex® 7005

NON-PRESSING WATER

- Flange plate with sleeve for duct systems
- Use **in front of the wall**
- For use with **tanking membranes** or **thick coating** (black tank)
- With **fixed and loose flange**
- Ideal for **renovations**



25
years
guarantee

PRODUCT ADVANTAGES

- Sealing in front of the wall (condition of the bore/wall opening not relevant)
- Suitable for duct systems without a suitable core bore or pipe sleeve
- Optimally designed inner wall for holding the DOYMA sealing systems

TECHNICAL DETAILS

- With fixed and loose flange (loose flange split) made of steel in accordance with DIN 18533
- For buildings with tanking membranes/thick coating (black tank)
- Gas and watertight
- Radon proof – according to FHRK information sheet MB101
- Depending on the tanking membrane, installed with Curaflex® packings (1775) arranged on both sides where there is thin and hard film, or accessories where there is a thick coating (1776): sanding of the contact surfaces of the fixed/loose flange

MATERIAL

- GGV triple corrosion protection coating; optionally made of stainless steel 1.4301 (V2A) or 1.4571 / 1.4404 (V4A)
- Contact surfaces sanded where a thick coating is yet to be applied
- Delivery includes fixing material for solid walls



Variant: Curaflex® 7005/T pipe sleeve – split version, for installation with an existing duct.



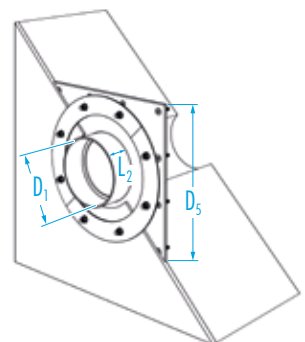
ACCESSORIES (OPTIONAL)*

- Curaflex® packings (1775) for thin, hard films
- Accessories for thick coating
- Punch for thick coating

ABSOLUTELY NECESSARY WITH SPLIT VERSION!*

- Sealant, primer and adhesive cleaner

* see accessories section



Curaflex® 7005

Inner diameter of pipe sleeve D ₁ [DN in mm]	Outer diameter / edge length of the fixed flange D ₃ max. [mm]	GGV	GGV/sanded for thick coating	Packings for thin or hard membranes
		Article number	Article number	Article number
80	260	1 70 5 080 000 0 0	1 70 5 080 000 5 0	1 99 5 775 080 7 0
100	280	1 70 5 100 000 0 0	1 70 5 100 000 5 0	1 99 5 775 100 7 0
125	300	1 70 5 125 000 0 0	1 70 5 125 000 5 0	1 99 5 775 125 7 0
150	330	1 70 5 150 000 0 0	1 70 5 150 000 5 0	1 99 5 775 150 7 0
200	380	1 70 5 200 000 0 0	1 70 5 200 000 5 0	1 99 5 775 200 7 0
250	430	1 70 5 250 000 0 0	1 70 5 250 000 5 0	1 99 5 775 250 7 0
300	480	1 70 5 300 000 0 0	1 70 5 300 000 5 0	1 99 5 775 300 7 0
350	530	1 70 5 350 000 0 0	1 70 5 350 000 5 0	1 99 5 775 350 7 0
400	580	1 70 5 400 000 0 0	1 70 5 400 000 5 0	1 99 5 775 400 7 0
450	630	1 70 5 450 000 0 0	1 70 5 450 000 5 0	1 99 5 775 450 7 0
500	680	1 70 5 500 000 0 0	1 70 5 500 000 5 0	1 99 5 775 500 7 0
600	780	—	—	—
700	880	—	—	—

L₂ (length of pipe socket) [mm]: 110

Further material combinations and dimensions available upon request.

Curaflex® 7005/T

Inner diameter of pipe sleeve D ₁ [DN in mm]	Outer diameter / edge length of the fixed flange D ₃ max. [mm]	GGV	GGV/sanded for thick coating	Packings for thin or hard membranes
		Article number	Article number	Article number
80	340	1 70 5 080 000 0 8	1 70 5 080 000 5 8	1 99 5 775 080 7 2
100	360	1 70 5 100 000 0 8	1 70 5 100 000 5 8	1 99 5 775 100 7 2
125	380	1 70 5 125 000 0 8	1 70 5 125 000 5 8	1 99 5 775 125 7 2
150	410	1 70 5 150 000 0 8	1 70 5 150 000 5 8	1 99 5 775 150 7 2
200	460	1 70 5 200 000 0 8	1 70 5 200 000 5 8	1 99 5 775 200 7 2
250	510	1 70 5 250 000 0 8	1 70 5 250 000 5 8	1 99 5 775 250 7 2
300	560	1 70 5 300 000 0 8	1 70 5 300 000 5 8	1 99 5 775 300 7 2
350	610	1 70 5 350 000 0 8	1 70 5 350 000 5 8	1 99 5 775 350 7 2
400	660	1 70 5 400 000 0 8	1 70 5 400 000 5 8	1 99 5 775 400 7 2
450	710	1 70 5 450 000 0 8	1 70 5 450 000 5 8	1 99 5 775 450 7 2
500	760	1 70 5 500 000 0 8	1 70 5 500 000 5 8	1 99 5 775 500 7 2
600	860	—	—	—
700	960	—	—	—

L₂ (length of pipe socket) [mm]: 110

Further material combinations and dimensions available upon request.