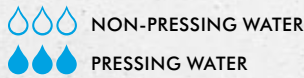
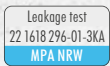
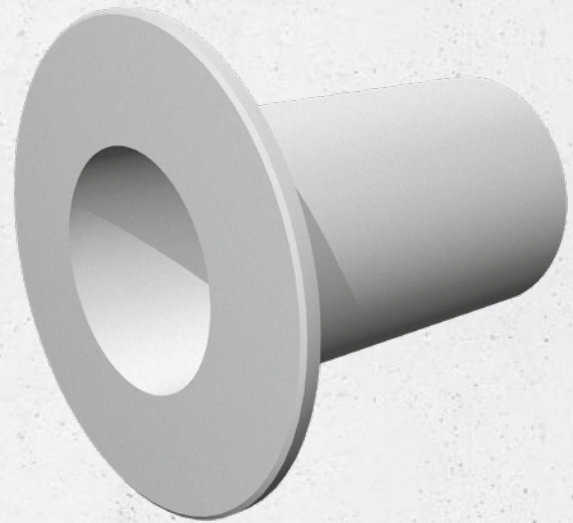


# Curaflex® 3001



- Cut-out for duct systems
- Use in **unfinished structures**
- For use with **sealants to be processed in liquid form (black tank)**
- With **bonding flange** in accordance with DIN 18533



## PRODUCT ADVANTAGES

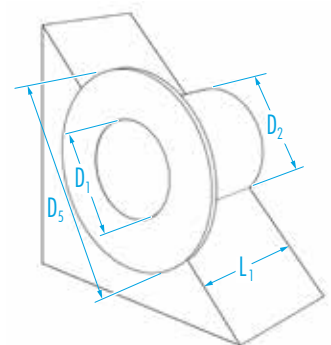
- Optimally designed inner wall for holding the DOYMA sealing systems and building services duct system
- Dimensionally stable and durable special fibre cement
- Coefficient of expansion of the material corresponds to that of concrete
- Homogeneous connection to the concrete
- Optimal connection through special fibre cement flange
- With bonding flange for the on-site application of a thick coating (KMB/PMBC) with pressing water (W2.1-E)
- With bonding flange for the on-site application of a mineral sealing slurry (MDS) or a liquid plastic (FLK) with non-pressing water (W1-E or W3-E)
- With bonding flange for the on-site bonding of a fresh concrete composite film (FBV)

## TECHNICAL DETAILS

- Gas-tight against ground gas with membrane that comes into contact with the soil
- Radon proof – according to FHRK information sheet MB101
- Also available as a split version
- Certified under FHRK test regulation GE 102 (no. G 30 322-2-9)

## MATERIAL

- Special fibre cement
- Special fibre cement fixed flange as bonding flange in accordance with DIN 18533
- Delivery includes fibre glass matting for KMB/PMBC



## Curaflex® 3001

Inner diameter of pipe sleeve D <sub>1</sub> [DN in mm]	Outer diameter of pipe sleeve D <sub>2</sub> max. [mm]	Outer diameter of bonding flange D <sub>3</sub> max. [mm]	Article number
80	≤ 140	285	1 30 0 080 415 0 9
100	≤ 160	305	1 30 0 100 415 0 9
125	≤ 165	330	1 30 0 125 415 0 9
150	≤ 190	355	1 30 0 150 415 0 9
200	≤ 245	405	1 30 0 200 415 0 9
250	≤ 300	455	1 30 0 250 415 0 9
300	≤ 350	505	1 30 0 300 415 0 9

L<sub>1</sub>: standard length of pipe sleeve: 415 mm

Other lengths available at additional cost.