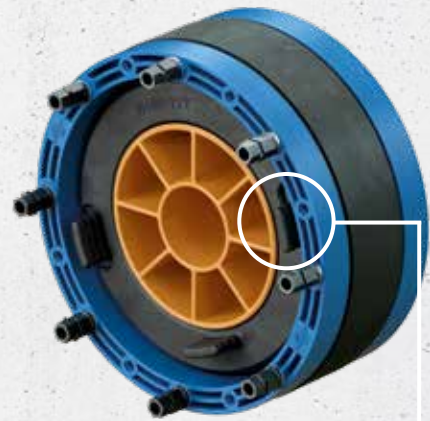


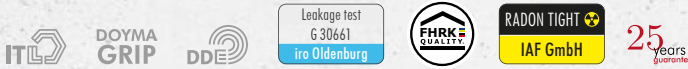
Curaflex Nova® Multi

NON-PRESSING WATER
PRESSING WATER

- Sealing of penetrations
- Use in on-site pipe sleeve or waterproof concrete core bore (white tank)
- High variability



Plug-in modules allow flexible adaptation.



PRODUCT ADVANTAGES

- With ITL system for optimal contact pressure – can also be installed with a cordless screwdriver
- With DDE (DOYMA DIAMETER EXTENSION), modular gasket insert, thus high variability. Reversible adaptability to the media pipe
- Permanently sealed – no need to re-tension later (maintenance-free)
- Integrated plug seal, easy to assign later
- Greater sealing performance of the gasket insert thanks to DOYMA-Grip

TECHNICAL DETAILS

- Certified under FHRK test regulation GE 101 without radial load as per 4.3.2 (no. G 30 322-2-3) - FHRK 45 D10
- Gas and water-tight
- Radon-tight – according to FHRK information sheet MB101 meets the requirements for radon precautionary areas
- Bending of medium pipes up to 8° is possible
- Can accommodate axial movements
- 45 mm sealing width
- DN 100 plugged sealing and from 20–63 mm
- DN 200 plugged sealing and from 108–160 mm

THE GASKET INSERT CONSISTS OF:

- Blue frame rings made of high-performance plastic
- Elastomer sealing rings, 45 mm wide, made of EPDM (DOYMA-Grip)
- Plug-in DDE modules
- ITL nuts
- A4 stainless steel screws



SMART DOYMA PLATFORM

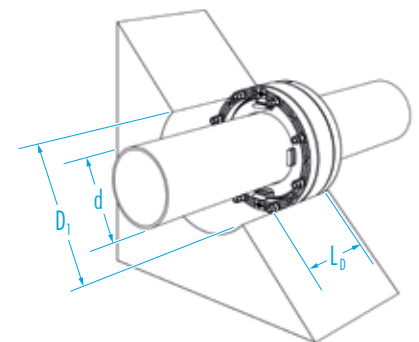
Simply scan and get detailed information!



ACCESSORIES (OPTIONAL)*

- Aquagard core bore sealant
- Fixing tabs
- ITL nut set

* see corresponding section



Curaflex Nova® Multi

Inner diameter of pipe sleeve / core bore D _i [DN in mm]	Outer diameter of pipe / cable d [mm]	Article number
100 (99 – 104)	blind	1 88 0 000 100 4 0
	20 – 25	
	28 – 35	
	40 – 45	
	46 – 52	
	57 – 63	
200 (199 – 203)	blind	1 88 0 000 200 4 0
	108 – 112	
	113 – 118	
	124 – 128	
	131 – 135	
	139 – 144	
	156 – 160	

L₀ (max. design length) [mm]: 105