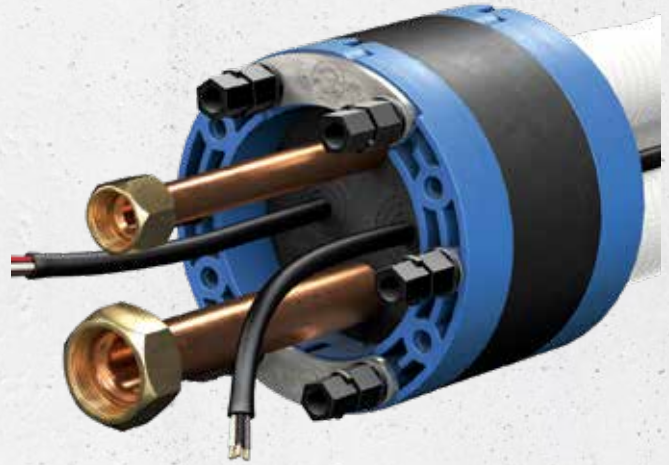


Curaflex Nova[®] Uno/M/Z

NON-PRESSING WATER
PRESSING WATER

- Sealing of penetrations
- Use in **on-site pipe sleeve** or **WU concrete core drilling** (white tank)
- **variable sealing** of cables or pipes with different diameters
- Hinged, for **already laid cables**
- With **exchangeable onion ring inserts**
- **ideal for refrigerant lines**



PRODUCT ADVANTAGES

- With ITL system for optimal contact pressure – can also be installed with a cordless screwdriver
- Permanently sealed – no need to re-tension later (maintenance-free)
- Greater sealing performance of the gasket insert thanks to DOYMA-Grip
- For retrofitting around existing pipes
- With quick release for safe and secure closure
- Closure of reserve openings by means of supplied blanking plugs

TECHNICAL DETAILS

- Gas and water-tight
- Radon proof – according to FHRK information sheet MB101
- 40 mm sealing width
- variable sealing

THE GASKET INSERT CONSISTS OF:

- Split blue frame rings made of high-performance plastic
- Split elastomer sealing ring, 40 mm wide, made of EPDM (DOYMA-Grip)
- V4A stainless steel quick release
- ITL nuts
- A4 stainless steel screws
- onion ring insert 40mm with collar made of EPDM



SMART DOYMA PLATFORM

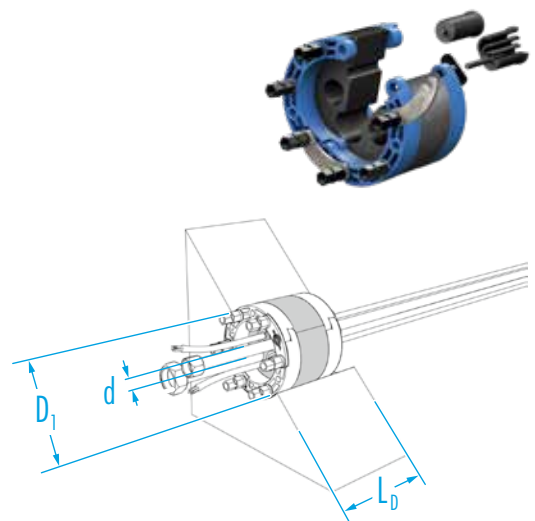
Simply scan and get detailed information!



ACCESSORIES (OPTIONAL)*

- Aquagard core bore sealant
- Fixing tabs
- ITL nut set

* see corresponding section



Curaflex Nova® Uno/M/Z

Inner diameter of pipe sleeve / core bore D _i [DN in mm]	cab le d [mm]	Outer diameter of pipe [Zoll]	Article number
100 (99 – 102)	2 x 6-15	1/4 + 1/2	1 88 8 001 100 40
100 (99 – 102)	2 x 6-15	3/8 + 5/8	1 88 8 002 100 40
100 (99 – 102)	2 x 6-15	1/4 + 5/8	1 88 8 003 100 40

L_b (max. design length) [mm]: 100

Zoll	Outer diameter
1/4	6,4 mm
1/2	12,7 mm
3/8	9,5 mm
5/8	15,9 mm