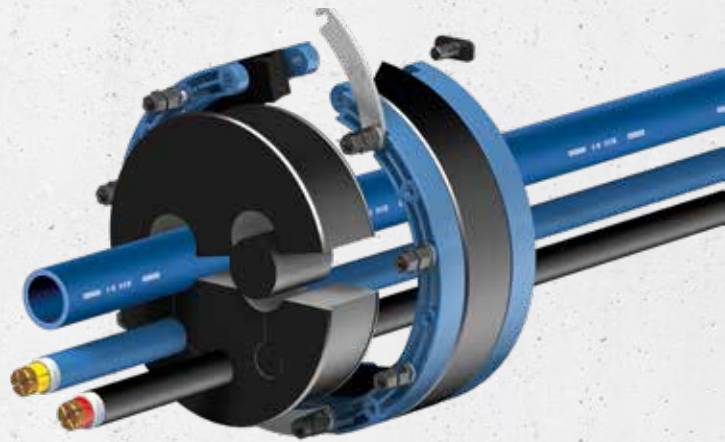


Curaflex Nova[®] Uno/M/T

NON-PRESSING WATER
PRESSING WATER

- Sealing of penetrations
- Use in **on-site pipe sleeve** or **waterproof concrete core bore** (white tank)
- Split version, for **pipes that are already installed**
- With **replaceable interchangeable insert**



PRODUCT ADVANTAGES

- With ITL system for optimal contact pressure – can also be installed with a cordless screwdriver
- Permanently sealed – no need to re-tension later (maintenance-free)
- Greater sealing performance of the gasket insert thanks to DOYMA-Grip
- For retrofitting around existing pipes
- With quick release for safe and secure closure
- The internal split interchangeable insert can be replaced with a new one at any time

TECHNICAL DETAILS

- Certified under FHRK test regulation GE 101 without radial load as per 4.3.2 (no. G 30 322-2-4) - FHRK 40 D10
- Gas and water-tight
- Radon proof – according to FHRK information sheet MB101
- Can accommodate axial movements
- 40 mm sealing width
- Split version

THE GASKET INSERT CONSISTS OF:

- Split blue frame rings made of high-performance plastic
- Split elastomer sealing ring, 40 mm wide, made of EPDM (DOYMA-Grip)
- V4A stainless steel quick release
- ITL nuts
- A4 stainless steel screws
- Interchangeable insert made of EPDM with limit stop for axial mounting



SMART DOYMA PLATFORM

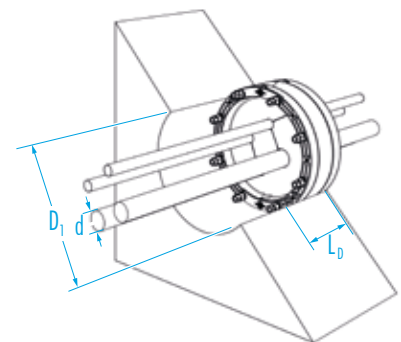
Simply scan and get detailed information!



ACCESSORIES (OPTIONAL)*

- Aquagard core bore sealant
- Fixing tabs
- ITL nut set

* see corresponding section



Curaflex Nova® Uno/M/T with change core

Inner diameter of pipe sleeve / core bore D_1 [DN in mm]	Outer diameter of pipe / cable* d [mm]
100 (99 – 104)	1 – 3 x (5 – 22)
	1 – 5 x (5 – 17)
	1 – 9 x (5 – 12)
150 (149 – 153)	1 – 3 x (5 – 42)
	1 – 5 x (5 – 34)
	1 – 9 x (5 – 24)
200 (199 – 203)	1 – 3 x (5 – 50)
	1 – 6 x (5 – 40)
	1 – 8 x (5 – 30) + 1 x (5 – 40)
	1 – 2 x (5 – 63) + 1 – 2 x (5 – 40)

L_0 (max. design length) [mm]: 100

*The precise outer diameter and number of pipes must be specified in your order. No article numbers.

Change core single (optional)

article
Change core DN 100
Change core DN 150
Change core DN 200