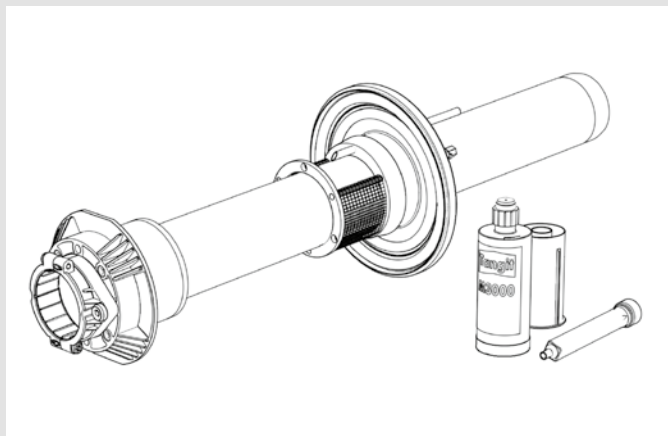


INSTALLATION NOTES

Quadro-Sicura® HOUSE LEAD-INS

- Quadro-Sicura® E-Quick for buildings with basements



Quadro-Sicura® E-Quick

General information and intended use

The Quadro-Sicura® E-Quick for direct installation in a core bore with a diameter of 99–103 mm to create a service entry point for a single detached house for the water, electrical, telecommunications and gas utilities.

Safety and processing instructions



Protect the wall bushing from damage, moisture and contamination during installation. Check the delivery for completeness and all individual parts for possible damage. Only undamaged parts may be installed.



When installing the wall bushing, the applicable accident prevention regulations, VDE rules, the applicable national health and safety regulations, and the rules and policies (operating procedures) of your company must all be observed.



Please note that no warranty claims whatsoever will be accepted for consequential damage caused by deviating from the specifications in the installation instructions, using our products not in the intended way or combining our products with third-party products.



Expansion resin: Tangit M 3000

Danger

Contains diphenylmethane-4,4'-diisocyanate



Please observe the manufacturer's notes

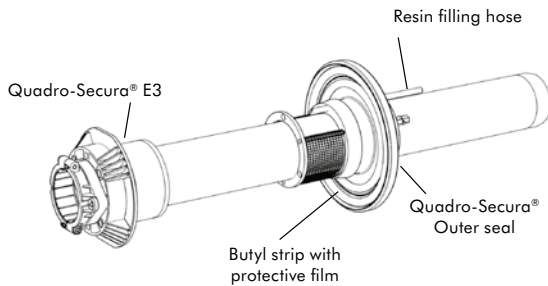


Note:

Please note the manufacturer's safety data sheet.

Processing temperature: +5°C to +30°C, optimal: +15°C to +25°C

Description of Quadro-Sicura® E-Quick



Scope of delivery

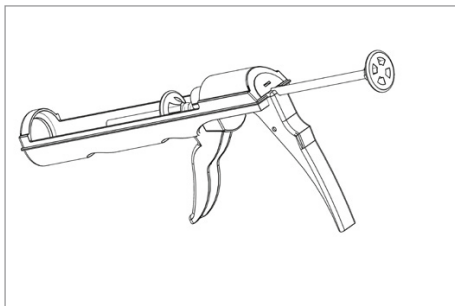
The scope of delivery of the Quadro-Sicura® E-Quick (including Quadro-Sicura® E3) includes:

- 1 Stück Quadro-Sicura® E-Quick consisting of:
 - 1 outer seal with butyl tape
 - 1 resin filling hose, 475 mm
 - 1 Quadro-Sicura® E3
 - 1 two-component resin Tangit M3000, 150 ml
 - 1 static mixer
 - 1 injection plunger

Required tools and equipment

To install the Quadro-Sicura® E-Quick correctly, you will need the following tools and equipment in addition to the usual standard tool:

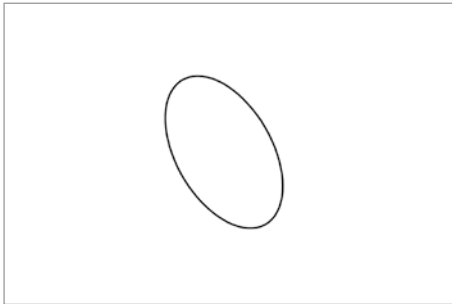
- Drill with drill bit for holes measuring \varnothing 99–103 mm
- 2K cartridge gun PP6 – use without injection plunger
- Conventional cartridge gun – use with injection plunger
- Lubricant (2780)
- Reversible ratchet spanner $\frac{1}{4}$ inch
- Hexagon socket SW 7
- 1 Hexagon socket (SW 10)



Note:

The special cartridge gun must be used for proper processing. You can obtain these directly from DOYMA.

Preparation



1 Creating a drill hole

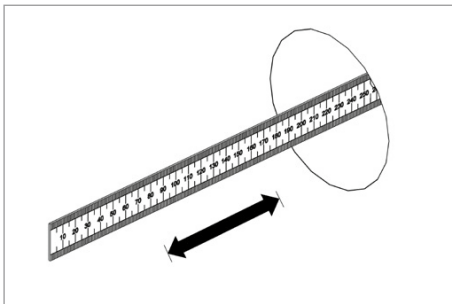
The drill can be guided by hand or using a drill stand. Only solid, sturdy material can be drilled. Breakouts may occur with porous or brittle wall materials. If minor breakouts occur, no reworking is required because the area will be sealed by the expansion resin.

If more significant breakouts occur, the plaster must be properly restored and structural sealing must be added in accordance with DIN 18533. Substrates must be clean, secure and free of dust and grease.

Standard: Wall thickness a: 240–450 mm (casing length 610 mm)

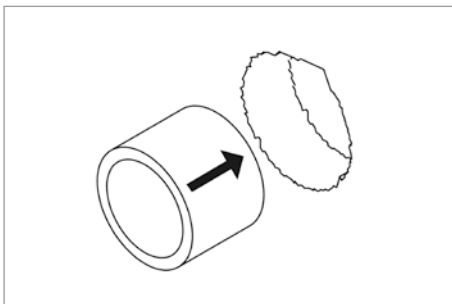
Special length: optional

Core bore/pipe sleeve diameter b: 99–103 mm



2

The dimensions of the bore must be checked before installing the Quadro-Secura® E-Quick.. $D_{\min} = 99 \text{ mm} / D_{\max} = 103 \text{ mm}$; wall thickness $X_{\min} = 240 \text{ mm}$.



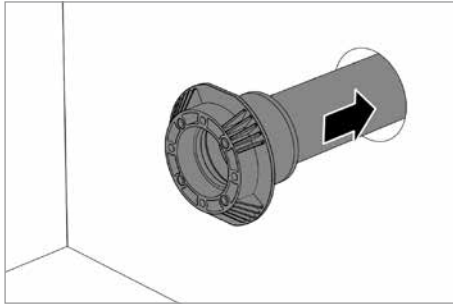
3

A clean and smooth contact surface is required for Quadro-Secura® E3. These can be reworked for smaller breakouts. For larger breakouts, a Curaflex® 3000 pipe sleeve is inserted into the bore and cemented in with quick-release grout.



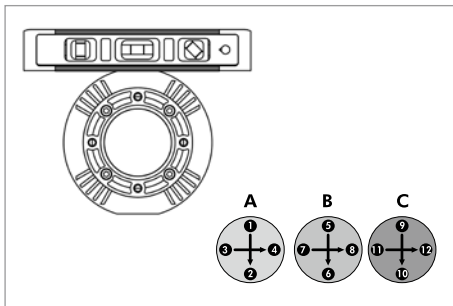
- Breakouts may occur with porous or brittle wall materials. In the case of small-scale breakouts or if they are covered by the outer flange, no further processing is necessary, as the seal is created by the escaping expansion resin.
- If the bore breaks out over a large area so that it is not covered by the rubber flange, the plaster must be properly restored and the paint finish must be added in accordance with DIN 18533
- Substrates must be clean, secure and free of dust and grease.

Installation of Quadro-Secura® E3



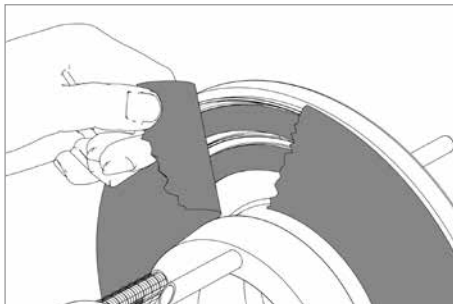
4 Building interior

Push the inner seal into the core bore so it is flush with the wall.



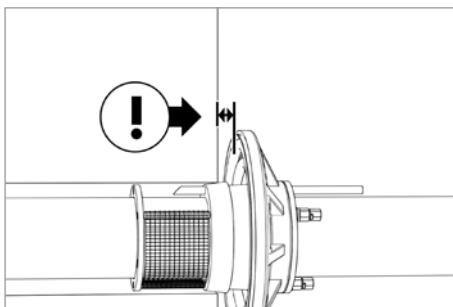
5

Slide the anchor slab flush against the wall and align it. Tighten the four hexagon socket screws to 6 Nm – follow the sequence (1, 2, 3...)! – Tighten at several intervals (I, II, III)!



6 Building exterior

Remove the protective film.



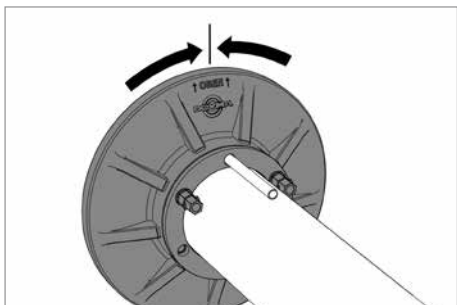
7

Push the outer seal from the outside of the building into the core bore via the casing.



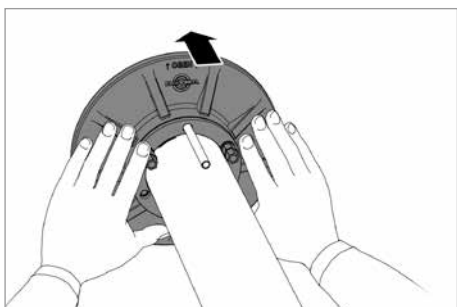
Notes:

- Apply lubricant to the seal and casing for easier installation.
- To align the outer seal, the butyl strip must not touch the outer wall.



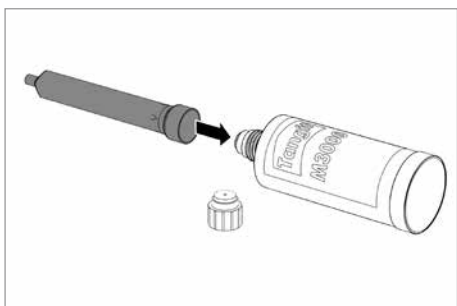
8

Align the outer seal according to the marking on the large ring ("top").



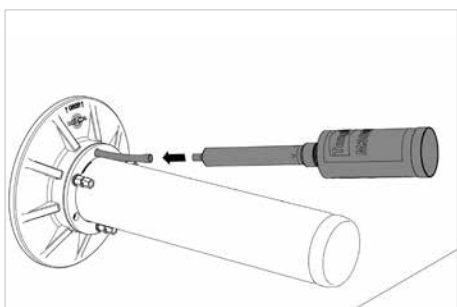
9

Push the outer seal up to the outer wall.



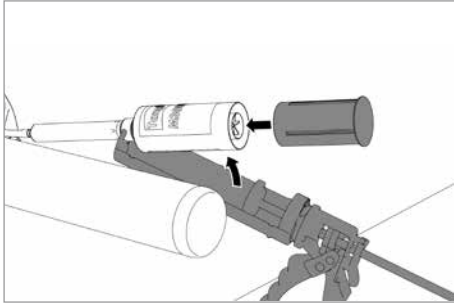
10

Unscrew the cap of the resin cartridge (Tangit M 3000, 150 ml) and screw the cartridge into the static mixer



11

Connect the static mixer nozzle firmly to the filling tube, inserting it all the way.

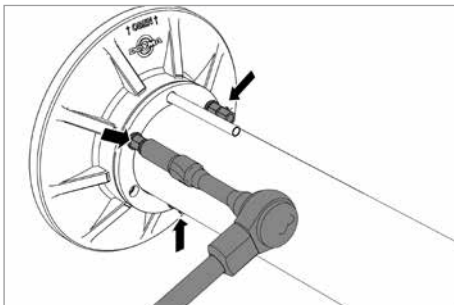


12

Remove the bottom cap of the resin cartridge and attach the injection plunger. Insert the resin cartridge and injection plunger into the cartridge gun. With even movements on the cartridge gun, inject the resin completely out of the cartridge into the Quadro-Sicura® E-Quick.

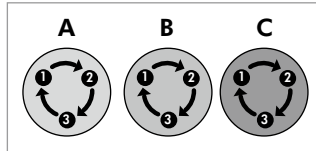


During curing (>10 min), do not separate the complete resin system from the Quadro-Sicura® E-Quick!



13 Tightening the ITL nuts

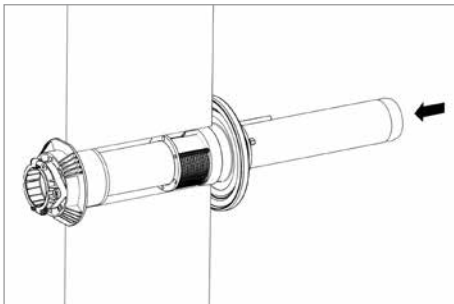
To complete the installation, tighten the ITL nuts (AF10).



Alternate cross-wise:
 several turns each in at least three intervals (A>B>C).



Continue until the top nuts shear off (ITL principle: integrated torque limiter; no special tool needed)



14

The media line is then fed from the outside through the protective pipe into the building connection room.

When installing the utility seals, please observe the assembly instructions enclosed with the corresponding products.

DOYMA products are continuously being further developed. Technical changes will be performed without prior notice.
25 year warranty on all DOYMA products. **More information at www.doyma.de**

DOYMA GmbH & Co

SEALING SYSTEMS
FIRE PROTECTION SYSTEMS

Industriestr. 43-57
28876 Oyten

Phone: 0 42 07/91 66-300
Fax: 0 42 07/91 66-199

www.doyma.de
info@doyma.de

25
years
guarantee

