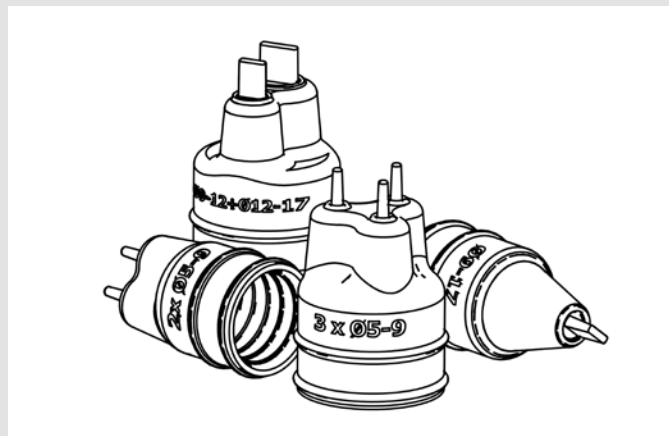


INSTALLATION INSTRUCTIONS

DOYMAfix® KEM

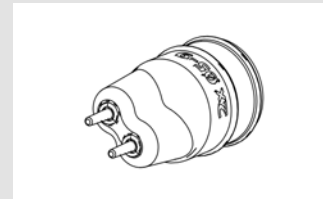
- DOYMAfix® KEM



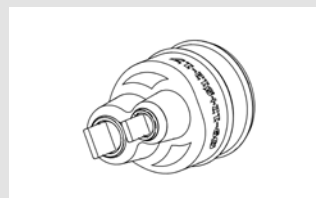
DOYMAfix® KEM



DOYMAfix® KEM DN 25 for 9-17 mm



DOYMAfix® KEM DN 25 for 2 x 5-9 mm

DOYMAfix® KEM DN 32 for 9-12 +
12-17 mm

DOYMAfix® KEM DN 32 for 3 x 5-9 mm

Dear Customer,

Thank you for choosing a quality product from our range.

Please read this message and the included installation instructions in full before installing or processing our products and keep both in a safe place after installation.

Safety instructions:

- Our products may only be installed by persons with the necessary specialist knowledge.
- For your own protection and the protection of third parties, the work area and any necessary pipe trenches must be properly constructed and secured in accordance with the applicable regulations.
- When installing our sealing and fire protection systems, the recognised rules of technology, the relevant regulations of the employers' liability insurance associations, the VDE regulations and the applicable safety and accident regulations must be observed. Parts of the body may be crushed or other serious injuries may occur when tensioning or fixing the products in place.
- The safety data sheets must be observed.
- Check that the delivered product is complete (the scope of delivery is listed separately in the installation instructions) and check all individual parts for any damage. Only undamaged parts may be installed.
- Check that the product is suitable for its intended use using the installation instructions. If there are any particular demands,

please clarify the use of the product with us in advance. Request our checklists for this purpose or download them from www.doyma.com.

Any liability on our part is excluded for misuse!

- Finally, please observe the instructions for the tools and equipment required for installation.

Industrial property rights:

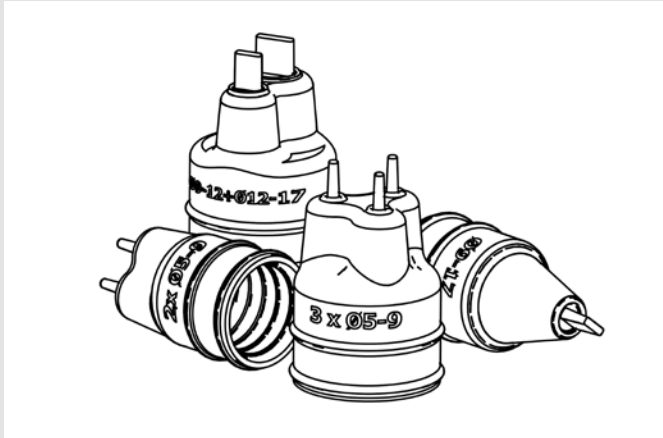
- Our industrial property rights and those of third parties must be observed.

Disposal:

- Please observe the applicable regulations when disposing of components, accessories and packaging.

Terms and conditions of sale:

- The current version of our terms and conditions of sale and delivery shall prevail.



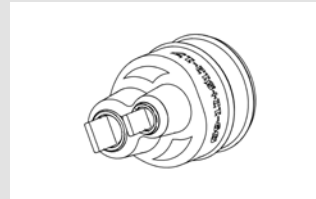
DOYMAfix® KEM



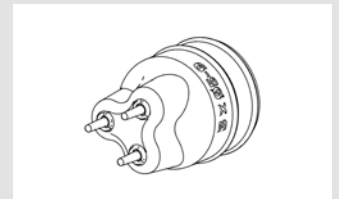
DOYMAfix® KEM DN 25 for 9-17 mm



DOYMAfix® KEM DN 25 for 2 x 5-9 mm



DOYMAfix® KEM
DN 32 for 9-12 + 12-17 mm



DOYMAfix® KEM DN 32 for 3 x 5-9 mm

Intended use

Gas and watertight sealing of cables and pipes in corrugated plastic pipe (cable protection conduits) with an outer diameter of 25 or 32 mm.

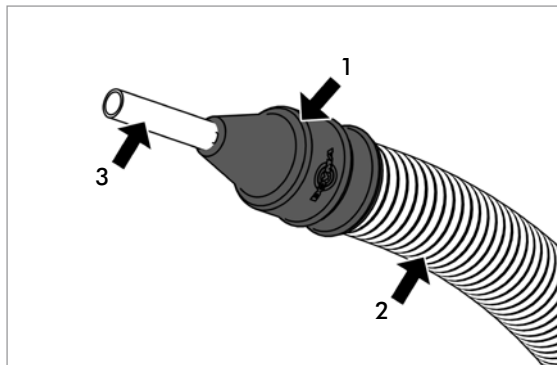
Please note:

- Protect the component from damage and contamination.

Scope of delivery

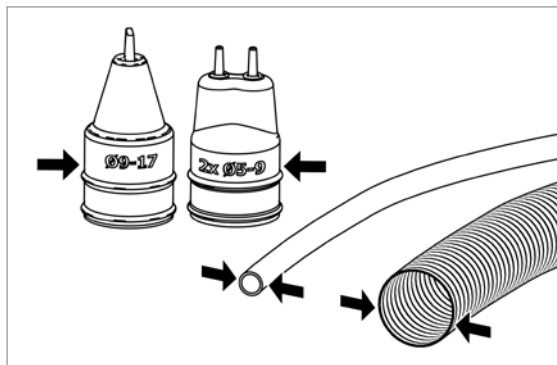
- Cable end collar
- Installation notes

Installation steps



Definition

- 1 Cable end collar
- 2 Corrugated plastic pipe, cable-empty duct, cable protection conduit
- 3 cable, line



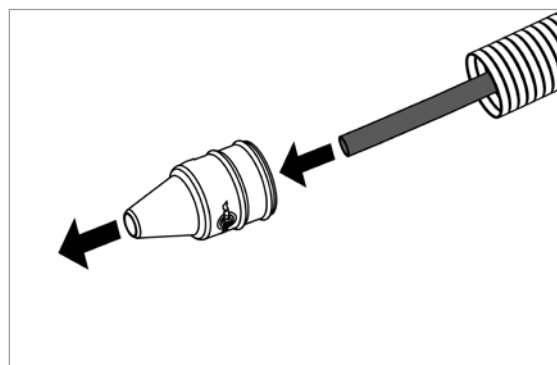
Take measurements

1. Determine the diameter of the cables and compare it with the information on the cable end collar or packaging



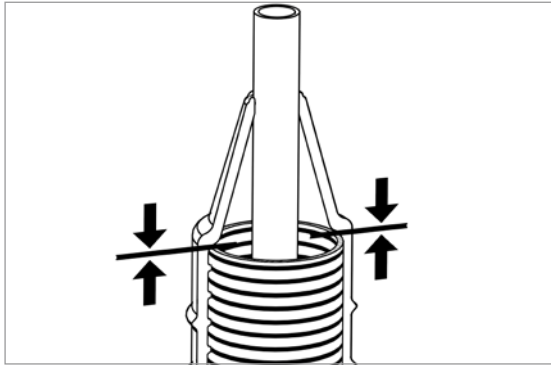
Installation cable end collar

2. Open the selected sealing cross-section by loosening the pull tab



Installation cable end collar

3. Feed the cable through the cable end collar from the inside



Installation cable end collar

4. Push the cable end collar onto the corrugated plastic pipe.
Push the cable end collar on as far as possible.

DOYMA products are continuously being further developed. Technical changes will be performed without prior notice.
25 year warranty on all DOYMA products. **More information at www.doyma.de**

DOYMA GmbH & Co

SEALING SYSTEMS
FIRE PROTECTION SYSTEMS

Industriestr. 43-57
28876 Oyten

Phone: 0 42 07/91 66-300
Fax: 0 42 07/91 66-199

www.doyma.de
info@doyma.de