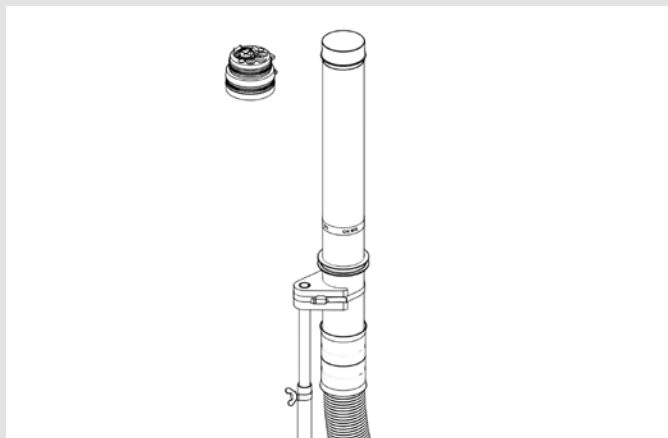


# INSTALLATION NOTES

## Quadro-Sicura® HOUSE LEAD OUT

- Quadro-Sicura® O.Con 1 for buildings without basements



Quadro-Sicura® O.Con 1

### General information and intended use

Single-compartment house lead-in as a round version. Use in unfinished structures to be made from waterproof concrete. Designed for pipes and cables (e.g. water or electricity) together with telecommunications or other data lines.

### General notes



The standards and guidelines listed here are only valid in Germany. For all other countries, the national standards and guidelines as amended must be applied.



For compliance with the wall distance, a cut-out in the strip foundation must be provided depending on the construction of the foundation and following consultation with the architect or contractor.

More accessories and information can be found at [www.doyma.com](http://www.doyma.com) and in the technical data sheets.

### Safety instructions



Protect the Quadro-Sicura® O.Con 1 single-compartment house lead-in from damage and contamination during installation. Check the delivery for completeness and all individual parts for possible damage. Only undamaged parts may be installed.



When installing the house lead-in the applicable accident prevention regulations, VDE rules, the applicable national health and safety regulations, and the rules and policies (operating procedures) of your company must all be observed.



Before installing the Quadro-Sicura® O.Con 1 floor slab feed-through, observe the following instructions

#### Personnel requirements

Risk of injury if not sufficiently qualified!

Improper handling may result in significant personal injury and property damage.

- Assembly may only be carried out by qualified and trained persons who have read and understood these assembly instructions.

### Qualified personnel

Due to their professional training, knowledge and experience as well as knowledge of the relevant regulations, standards and regulations, qualified personnel are able to carry out the work assigned to them and identify and avoid potential hazards independently.

### Storage

Damage due to improper storage!

Improper storage may result in significant material damage.

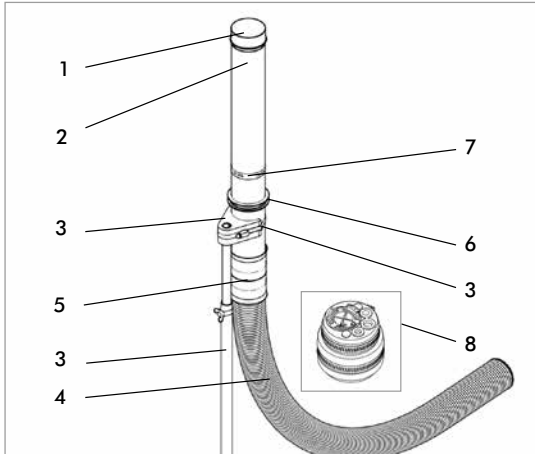
- Protect Quadro-Sicura® O.Con 1 from damage, moisture and contamination before installation. Only undamaged parts may be installed.
- The Quadro-Sicura® O.Con 1 must be stored in such a way that it is not exposed to temperatures that are too low (<5°C) and higher temperatures (>30°C) or direct sunlight.

### Disposal

If no take-back or disposal agreement has been concluded, disassembled components for recycling after proper disassembly:

- Scrap remaining metal material in accordance with the applicable environmental regulations.
- Dispose of elastomers in accordance with the applicable environmental regulations.
- Dispose of plastics in accordance with the applicable environmental regulations.
- Dispose of packaging material in accordance with applicable environmental regulations.

### Quadro-Sicura® O.Con 1



### Description of Quadro-Sicura® O.Con. 1

- 1 Protective cap
- 2 Cast-in part
- 3 Height-adjustable set-up device with ground spike, mounting bracket, clamp sleeve and impact screw (accessories)
- 4 Flexible jacket pipe DN 75 (accessories)
- 5 Double sleeve including 1 profile seal
- 6 Water-resistant flange
- 7 "OK RFB" marking, top edge of unfinished floor
- 8 Quadro-Sicura® X-LWL end plug

## Scope of delivery

The scope of delivery of the Quadro-Secura® O.Con 1 includes:

- 1 cast-in part including double sleeve, 1 profile sealing ring and protective cap
- 1 Quadro-Secura® X-LWL end plug including clamps

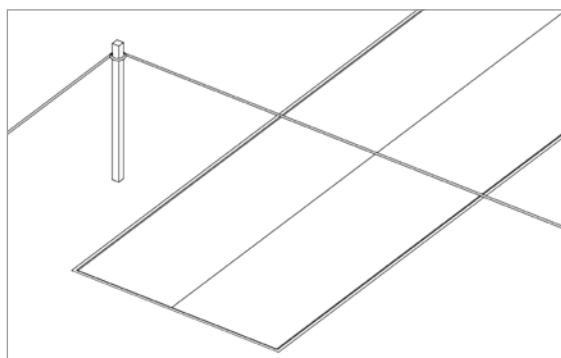
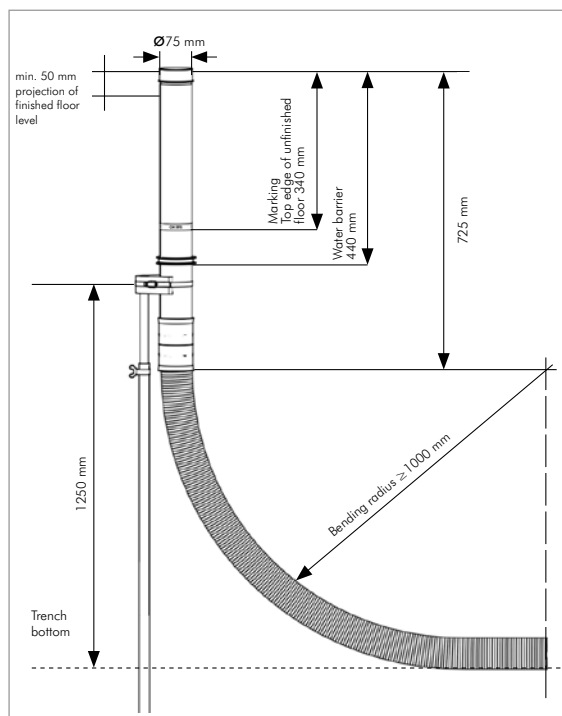
Accessories (not included in the scope of delivery):

- 1 bend-resistant jacket pipe DN 75
- 1 set-up device with ground spike

## Required tools and equipment

Standard tools and auxiliary equipment are required for the proper installation of the Quadro-Secura® O.Con 1 single-house lead-in.

## Installation situation

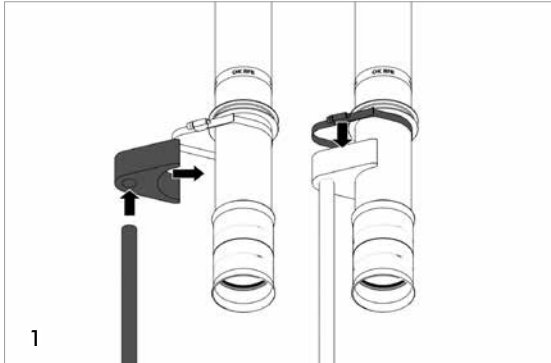


## Preparation

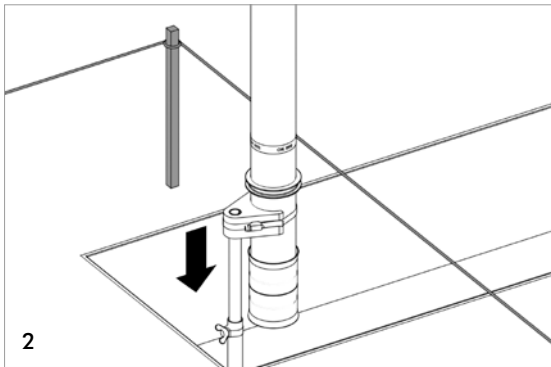
To position the Quadro-Secura® O.Con 1 precisely, a batter board must be prepared on site. Ideally, the line also marks the top edge of the unfinished floor as well as the inside of the wall.

## Installation steps

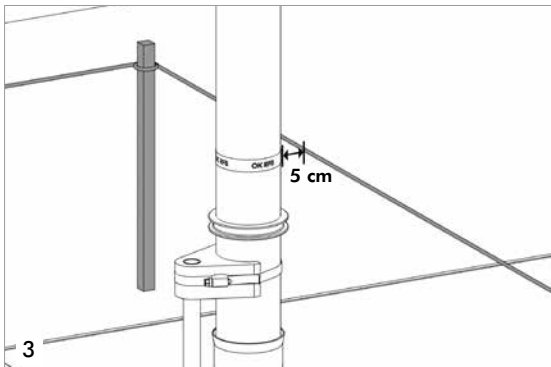
### Installation with set-up device (accessory)



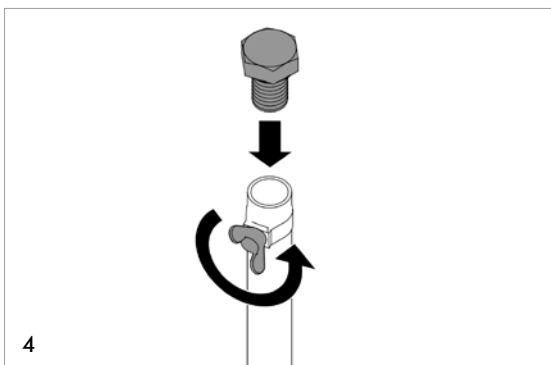
Slide the set-up device flush into the bore of the spacer. The spacer is placed below the water barrier with a minimum distance of 30 mm. Slide the clamp over the spacer, place it centrally and tighten with max. 3 Nm.



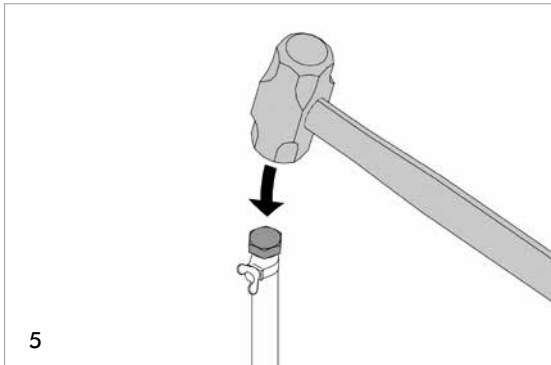
Align and position the cast-in part with the set-up device on the batter board. Using a spirit level, align the cast-in part horizontally and press it into the ground. The exact height does not.



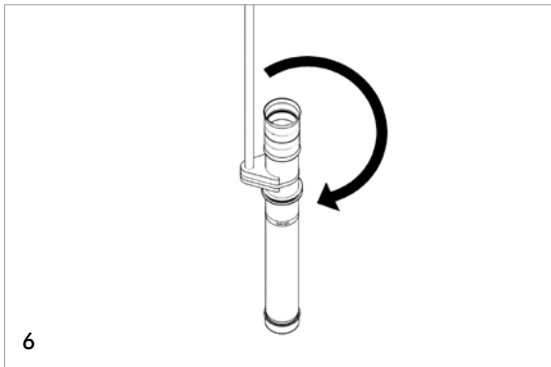
- Align Quadro-Sicura® O.Con 1 (unfinished component) with the wall.
- Distance from interior wall surface including plaster (finished wall) to exterior base surface: at least 5 cm.
- The base must not be covered by the interior walls (shell construction wall + plaster) at a later date.
- The position of the Quadro-Sicura® O.Con 1 (cast-in part) must always be coordinated with the suppliers!
- During the filling process, check the distance to the batter board and the vertical position of the part and adjust if necessary.



Then loosen the wing screw, hold the ground spike and pull off Quadro-Sicura® O.Con 1 (cast-in part). Insert the supplied impact screw into the ground spike and fix it in place with the wing screw



Beat the ground spike **approx. 300 mm** into the ground or until it is sufficiently fixed in place. Remove the impact screw.

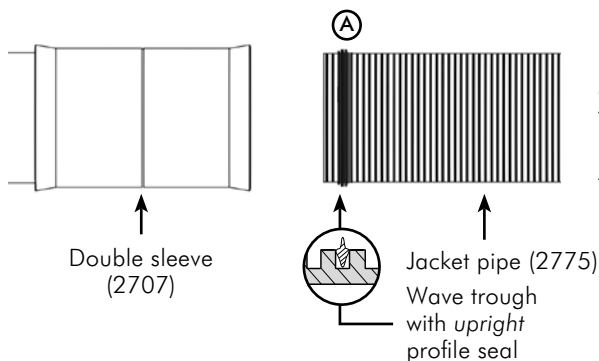


Place the cast-in part upside down on the floor.

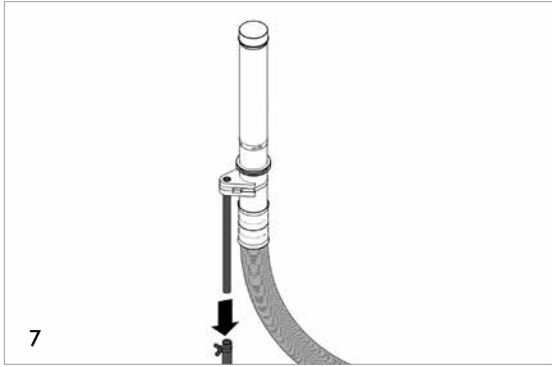
### Connecting jacket pipes

**Note:** No damage to the jacket pipe is permitted in the area of the seal (socket or jacket pipe end plug area). The jacket pipes must be cut at right angles.

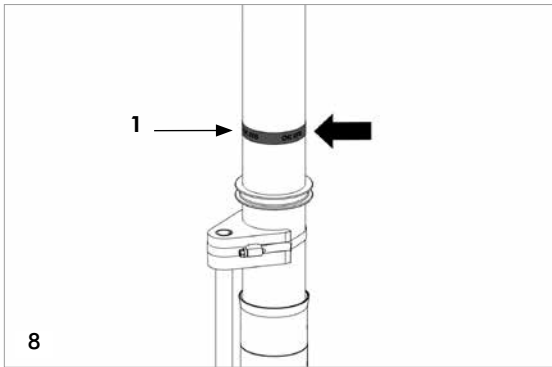
#### Connection of flexible jacket pipe (2775) DN 75



Place the profile seal **(A)** in the 2nd wave trough of the jacket pipe.  
Then grease the profile seals (use DOYMA 2780 lubricant) and insert the jacket pipe (2775) into the double sleeve as far as it will go.

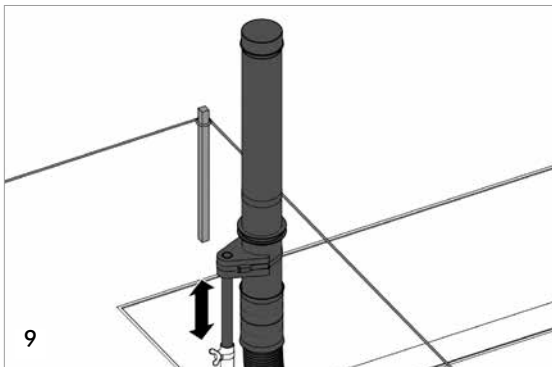


Turn the cast-in part with the jacket pipe over and insert it onto the ground spike that has already been driven in



On the cast-in part of the Quadro-Secura® O.Con 1 there is an “Top edge of unfinished floor” sign/markings.

“Top edge of unfinished floor” sticker

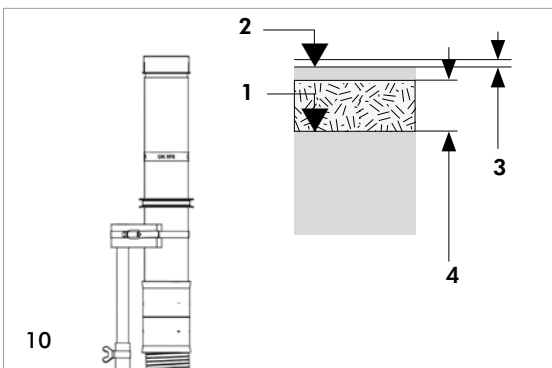


Using the “Upper edge of unfinished floor” marking (see sticker on the cast-in part), align the cast-in part of the Quadro-Secura® O.Con 1 with the height of the batter board (unfinished floor level).

After adjusting the height, secure the wing screw, thus securing the alignment.



The set-up device (accessory) is only a temporary fixture. Only the intermediate filling of sand to the level of the granular sub-base provides a stable-surface positioning of the floor slab feed-through.

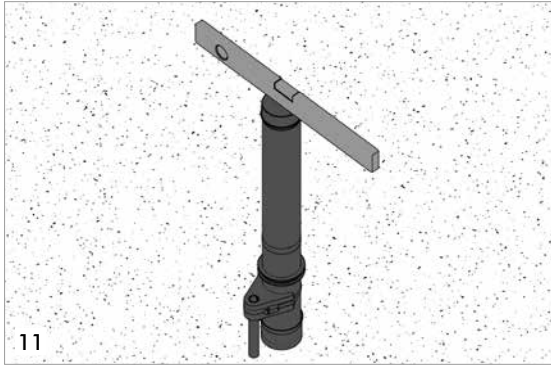


**Legend for Fig.: 10**

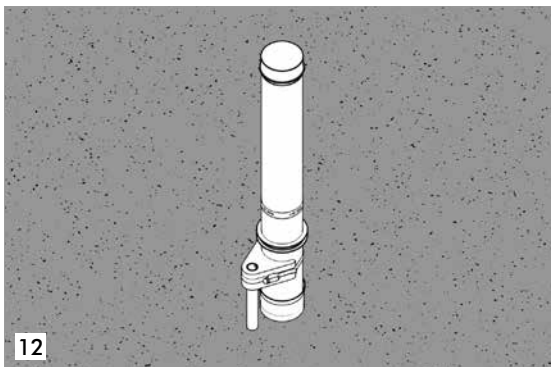
- 1 Unfinished floor
- 2 Finished floor
- 3 Projection min. 50 mm
- 4 Insulation



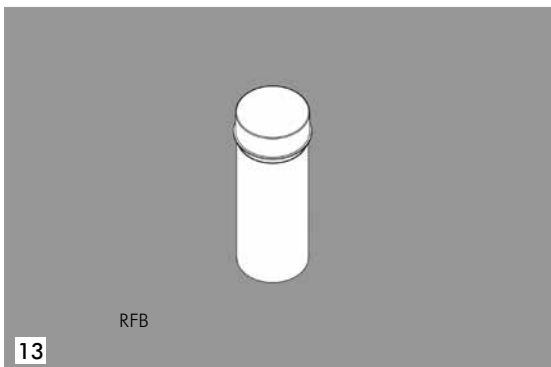
The projection of min. 50 mm is required for installing the end plug.



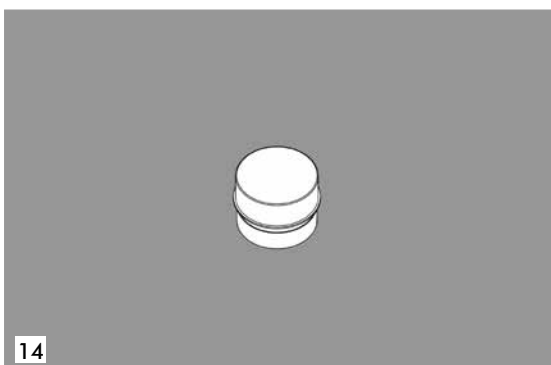
After the height of the floor slab feed-through has been fixed and during filling with sand, a spirit level can be used for positional alignment. If necessary, check the distance from the wall again (see Fig.: 3).



Positional and stable floor slab feed-through mounted vertically, aligned with the batter board, filled with sand and prepared for concreting



If correctly positioned, the cast-in part is **340 mm** above the unfinished floor (**RFB**) after concreting. It is possible to shorten the cast-in part to the later floor structure or the finished floor level at a later stage.



The part is fully concreted and protrudes at least 50 mm from the finished floor.



Installation of the end plug is described in separate installation instructions.



The end plug is installed.

DOYMA products are continuously being further developed. Technical changes will be performed without prior notice.  
25 year warranty on all DOYMA products. **More information at [www.doyma.de](http://www.doyma.de)**

**DOYMA GmbH & Co**

SEALING SYSTEMS  
FIRE PROTECTION SYSTEMS

Industriestr. 43-57  
28876 Oyten

Phone: 0 42 07/91 66-300  
Fax: 0 42 07/91 66-199

[www.doyma.de](http://www.doyma.de)  
[info@doyma.de](mailto:info@doyma.de)