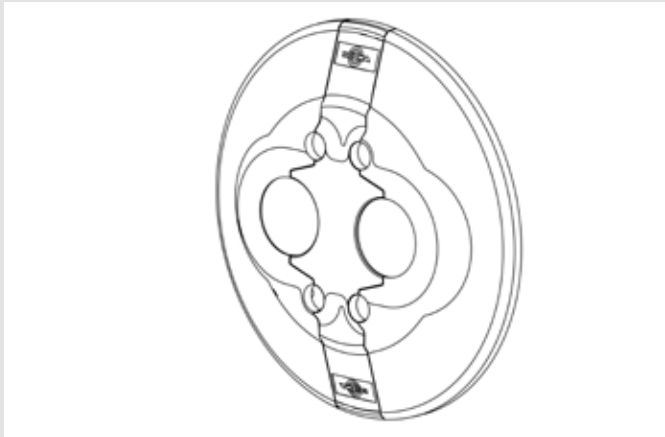


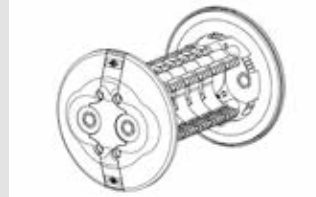
INSTALLATION NOTES

DOYMAfix®

- Accessories DOYMAfix® Large cover cap



DOYMAfix® Large cover cap



DOYMAfix® with „Large cover cap“

Dear Customer,

Thank you for choosing a quality product from our range.

Please read this message and the included installation instructions in full before installing or processing our products and keep both in a safe place after installation.

Safety instructions:

- Our products may only be installed by persons with the necessary specialist knowledge.
- For your own protection and the protection of third parties, the work area and any necessary pipe trenches must be properly constructed and secured in accordance with the applicable regulations.
- When installing our sealing and fire protection systems, the recognised rules of technology, the relevant regulations of the employers' liability insurance associations, the VDE regulations and the applicable safety and accident regulations must be observed. Parts of the body may be crushed or other serious injuries may occur when tensioning or fixing the products in place.
- The safety data sheets must be observed.
- Check that the delivered product is complete (the scope of delivery is listed separately in the installation instructions) and check all individual parts for any damage. Only undamaged parts may be installed.
- Check that the product is suitable for its intended use using the installation instructions. If there are any particular demands,

please clarify the use of the product with us in advance. Request our checklists for this purpose or download them from www.doyma.com.

Any liability on our part is excluded for misuse!

- Finally, please observe the instructions for the tools and equipment required for installation.

Industrial property rights:

- Our industrial property rights and those of third parties must be observed.

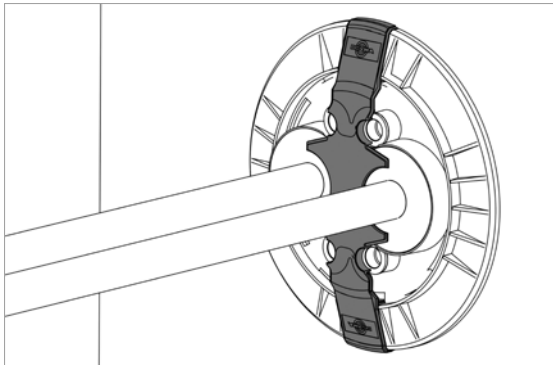
Disposal:

- Please observe the applicable regulations when disposing of components, accessories and packaging.

Terms and conditions of sale:

- The current version of our terms and conditions of sale and delivery shall prevail.

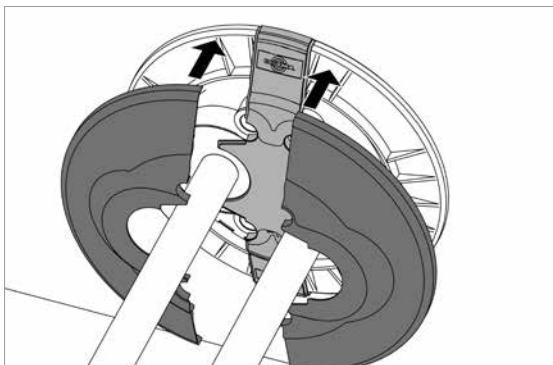
Installation steps Large cover cap



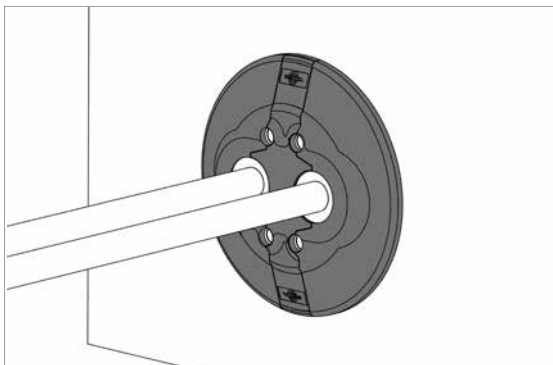
Note:

A cover cap that has already been fitted must be removed beforehand!

Place the center segment on the anchor plate.



Then fit the side sections.



Cover cap fully assembled.

DOYMA products are continuously being further developed. Technical changes will be performed without prior notice.
25 year warranty on all DOYMA products. **More information at www.doyma.com**

DOYMA GmbH & Co

SEALING SYSTEMS
FIRE PROTECTION SYSTEMS

Industriestr. 43-57
28876 Oyten

Phone: 0 42 07/91 66-300
Fax: 0 42 07/91 66-199

www.doyma.de
info@doyma.de