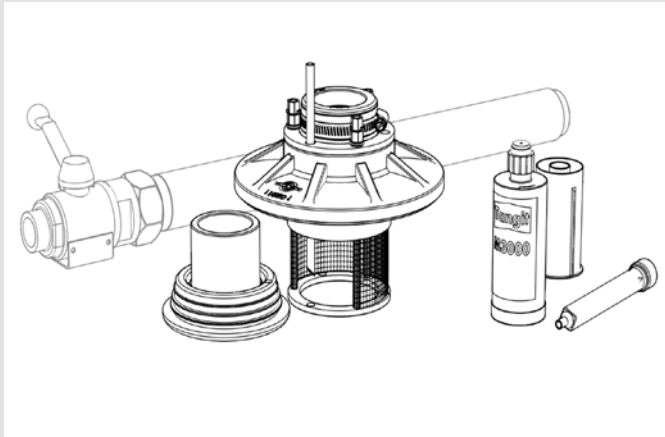


# INSTALLATION NOTES

## Quadro-Sicura® HOUSE LEAD-INS

- Quadro-Sicura® Quick/G for insertion of Burger gas house lead-ins DN25 (1 inch)



Quadro-Sicura® Quick/G Burger 1"

Dear Customer,

Thank you for choosing a quality product from our range.

Please read this message and the included installation instructions in full before installing or processing our products and keep both in a safe place after installation.

### Safety instructions:

- Our products may only be installed by persons with the necessary specialist knowledge.
- For your own protection and the protection of third parties, the work area and any necessary pipe trenches must be properly constructed and secured in accordance with the applicable regulations.
- When installing our sealing and fire protection systems, the recognised rules of technology, the relevant regulations of the employers' liability insurance associations, the VDE regulations and the applicable safety and accident regulations must be observed. Parts of the body may be crushed or other serious injuries may occur when tensioning or fixing the products in place.
- The safety data sheets must be observed.
- Check that the delivered product is complete (the scope of delivery is listed separately in the installation instructions) and check all individual parts for any damage. Only undamaged parts may be installed.
- Check that the product is suitable for its intended use using the installation instructions. If there are any particular demands,

please clarify the use of the product with us in advance. Request our checklists for this purpose or download them from [www.doyma.com](http://www.doyma.com).

### Any liability on our part is excluded for misuse!

- Finally, please observe the instructions for the tools and equipment required for installation.

### Industrial property rights:

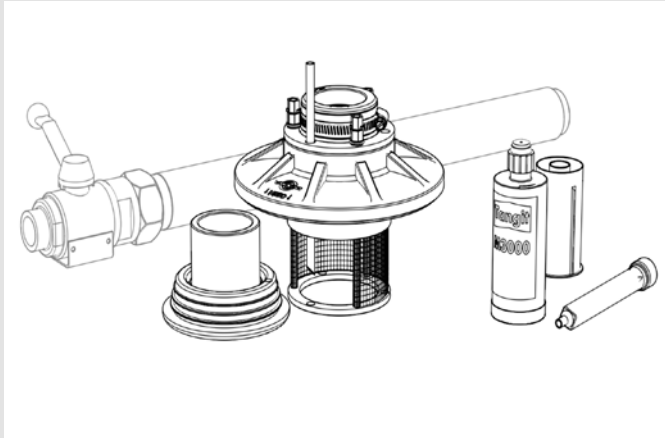
- Our industrial property rights and those of third parties must be observed.

### Disposal:

- Please observe the applicable regulations when disposing of components, accessories and packaging.

### Terms and conditions of sale:

- The current version of our terms and conditions of sale and delivery shall prevail.



Quadro-Sicura® Quick/G Burger 1"

## Content

- 1 General information and intended use
- 2 Safety instructions
- 3 Scope of delivery
- 4 Required tools and equipment
- 5 Preparation
- 6 Installation
- 7 Approved gas house lead-ins
- 8 Approved two-component expansion resin

## 1 General information and intended use

The Quadro-Sicura® Quick/G is a single house lead-in for the gas trade for installation in a core bore hole of a wall component made of waterproof concrete or with an existing ground-side seal in accordance with DIN 18533.

In the case of buildings without waterproofing and permanent exposure to ground moisture, the penetration can be professionally sealed with the Quadro-Sicura® Quick/G. If civil engineering work or other events lead to a change in water exposure or stress (non-pressing or pressing water), measures may have to be taken to maintain the waterproofing of the building. Examples of this are listed in the regulations „Building penetrations and their sealing“ (AGFW FW419, DVGW GW390 or VDE-AR-N 4223).

## 2 Safety instructions



During installation, protect the house lead-in from damage, moisture and contamination. Inspect all individual parts for any damage. Only undamaged parts may be installed.



When installing the house lead-in, the applicable accident prevention regulations, VDE rules, the applicable national health and safety regulations, and the rules and policies (operating procedures) of your company must all be observed.



Please note that no warranty claims whatsoever will be accepted for consequential damage caused by deviating from the specifications and instructions in the installation notes, using our products not in the intended way or combining our products with third-party products..



**Expansion resin: Tangit M 3000 (150 ml)**

Danger



Contains diphenylmethane-4,4'-diisocyanate

Please observe the manufacturer's notes..



**Note:**

Please note the manufacturer's safety data sheet.

Processing temperature: +5°C to +30°C, optimal: +15°C to +25°C



**Recycling/disposal**

Dispose of rinsed empty packaging in the Dual System (yellow recycling bag). Cured residual polyurethane can be disposed of in normal domestic/commercial waste.

### 3 Scope of delivery

The scope of delivery for the Quadro-Secura® Quick/G includes:

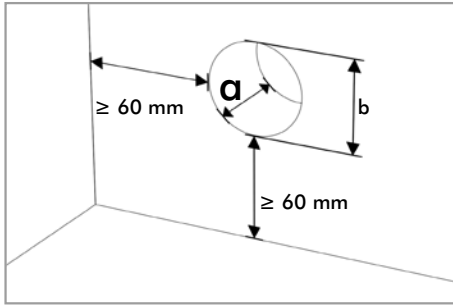
- 1 Quadro-Secura® Quick/G
- consisting of:
  - 1 outer seal
  - 1 wall termination ring (building inside)
  - 1 static mixer nozzle
  - 1 Tangit M 3000 150 ml
  - 1 installation instructions
  - 1 injection plunger

### 4 Required tools and equipment

In addition to the usual standard tool, you also need the following tools and equipment in order to properly install the Quadro-Secura® Quick/G:

- Drill with drill bit for holes measuring  $\varnothing$  99–103 mm
- 2K cartridge gun PP6 - Use without injection plunger
- Conventional cartridge gun - Use with injection plunger
- Screwdriver
- Reversible ratchet spanner
- Hexagon socket AF10
- Waterproof pen
- Torque spanner with extension and socket

## 5 Preparation



### 5.1 Creating a drill hole

The drill can be guided by hand or using a drill stand. Only solid, sturdy material can be drilled.

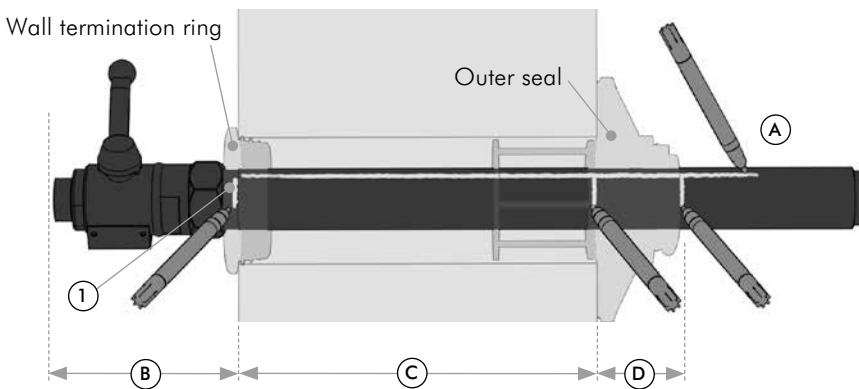
Breakouts may occur with porous or brittle wall materials. If minor breakouts occur, no reworking is required because the area will be sealed by the expansion resin. If more significant breakouts occur, the plaster must be properly restored and structural sealing must be added in accordance with DIN 18533. Substrates must be clean, secure and free of dust and grease.

Burger (RK1)	
overall length	wall thickness a
750	650
1150	1050
1500	1400

Burger (RK2)	
overall length	wall thickness a
500	400
600	500
750	650
1000	900
1500	1400

**Core bore b:** 99 mm – 103 mm

### 5.2 Preparing the house lead-in (marking control points e.g. with a waterproof pen)



A. Position of 'top' / 'Oben' control point for vertical alignment

B. Position of 'wall distance' control point for the prescribed distance to the connection

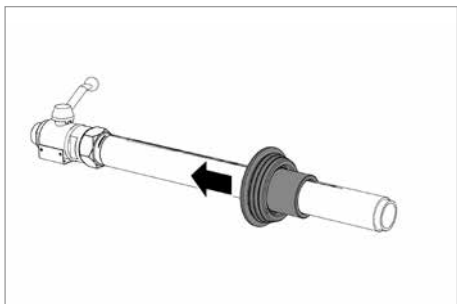
**Note:**

The wall termination must be positioned at section **1**.

C. Position of 'wall thickness' control point

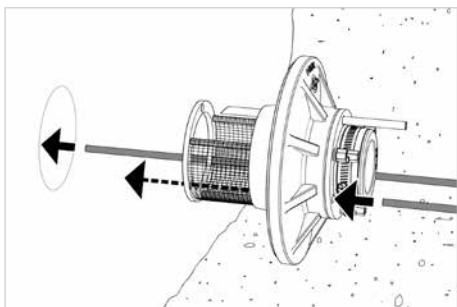
D. Position of 'outer seal' control point (additional **70 mm**)

## 6 Installation



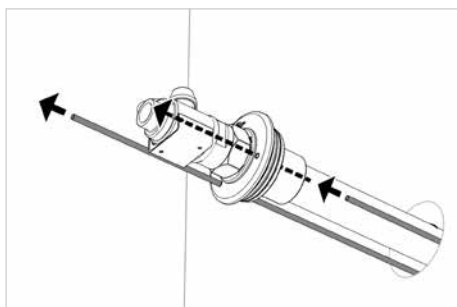
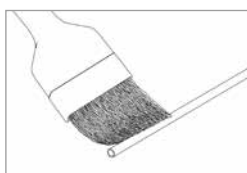
### 6.1

Push the wall termination onto the gas house lead-in up to the '**wall distance**' mark.



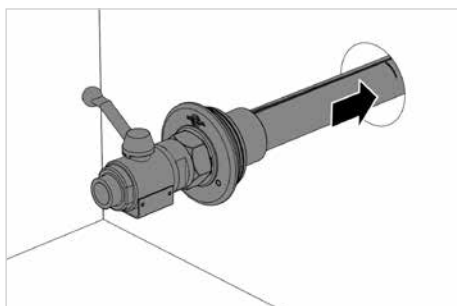
### 6.2 Installation with 'speed pipe' microducts Ø 7 mm (optional)

Lubricate the 'speed pipe' microducts and insert them through the designated openings on the outer seal.



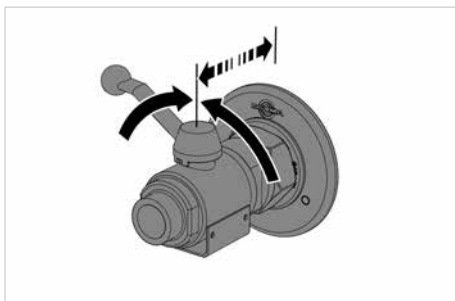
### 6.2.1

Insert the 'speed pipe' microducts through the designated openings on the wall termination ring.



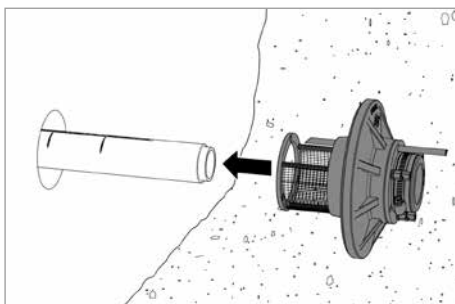
### 6.3

Insert the gas house lead-in with mounted wall termination into the drill hole from the inside of the building.



6.4

Align the gas house lead-in.

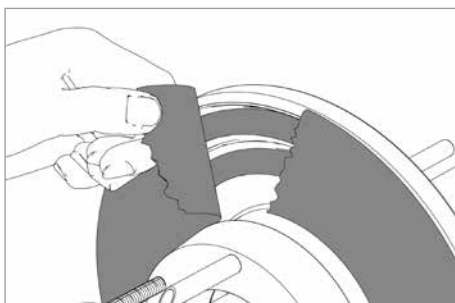


6.5

Push the outer seal over the gas house lead-in into the core bore from the outside of the building.

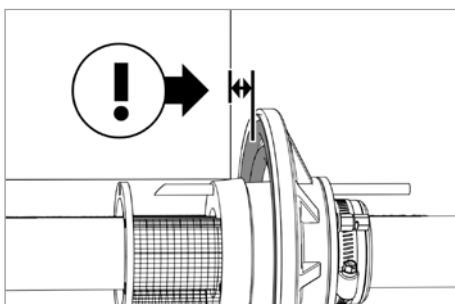


Note: observe the ,top'/ 'Oben' control point.



6.6

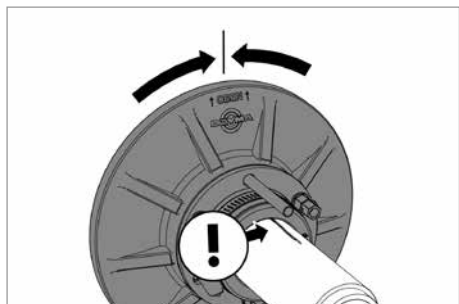
Remove the protective film.



6.7

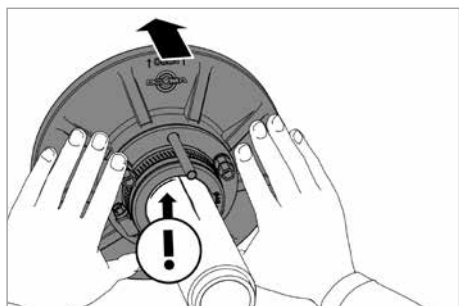


Note: to align the outer seal, the butyl strip must not touch the outer wall.



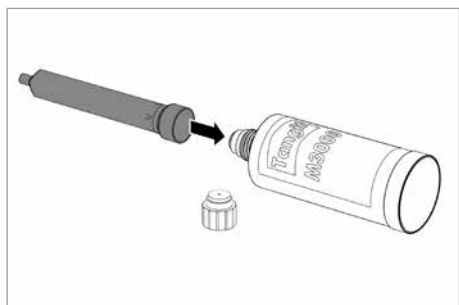
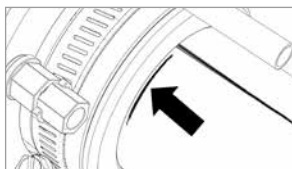
6.8

Align the outer seal and gas house lead-in according to the mark on the large ring ('top') and the mark on the gas house lead-in.



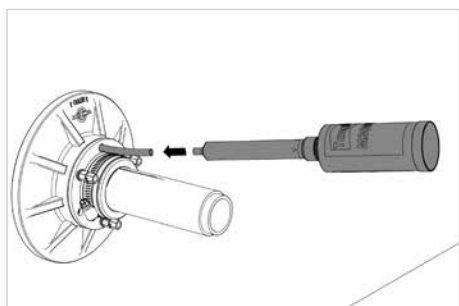
6.8.1

Push the outer seal up to the outer wall, observing the marked control points and correcting the position if necessary.



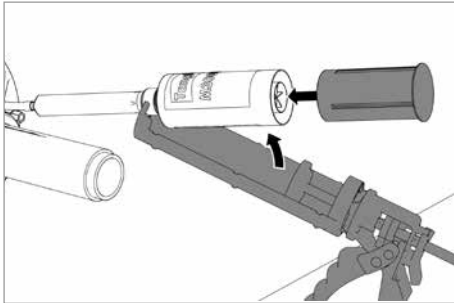
6.9

Unscrew the seal cap of the resin cartridge (Tangit M 3000, 150 ml) and screw the cartridge into the static mixer nozzle.



6.10

Connect the static mixer nozzle firmly to the filling tube, inserting it all the way.



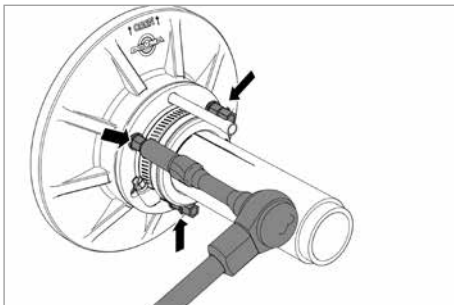
6.11

Remove the bottom cap from the resin cartridge and put on the injection plunger.

Insert the resin cartridge and the plunger into the cartridge gun. With even movements on the cartridge gun, inject all of the resin from the cartridge into the Quadro-Secura® Quick/G.

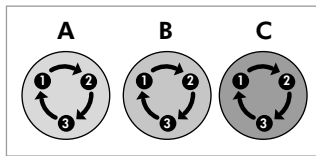


During curing (>10 min.), do not remove the complete resin system from the Quadro-Secura® Quick/G!



6.12 Tightening the ITL nuts

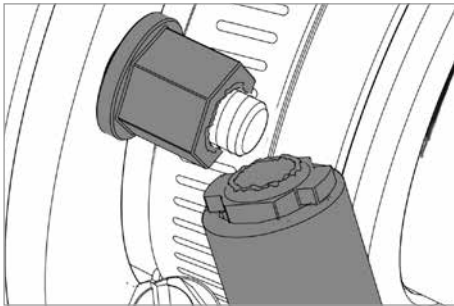
To complete the installation, tighten the ITL nuts (AF 10 or 13).



Alternate between nuts: several turns each in at least three intervals (A>B>C).

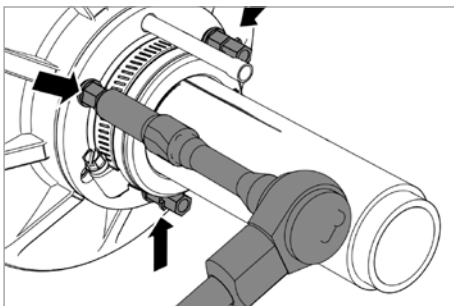


Continue until the top nuts shear off (ITL principle: Integrated Torque Limiter; no special tool needed.)



6.13

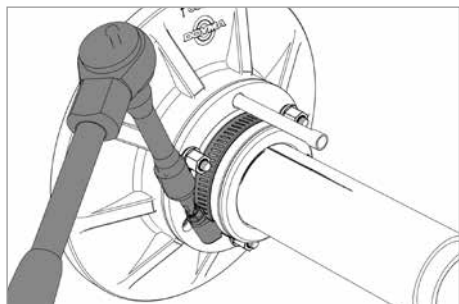
Alternately remove nuts that have already been separated crosswise in several intervals. Use new nuts (optionally available) and continue installation according to the INSTALLATION NOTES, or ...



6.14

... Tighten the remaining nuts (AF 11 or 14) alternately crosswise with a torque of 5 Nm or 8 Nm.

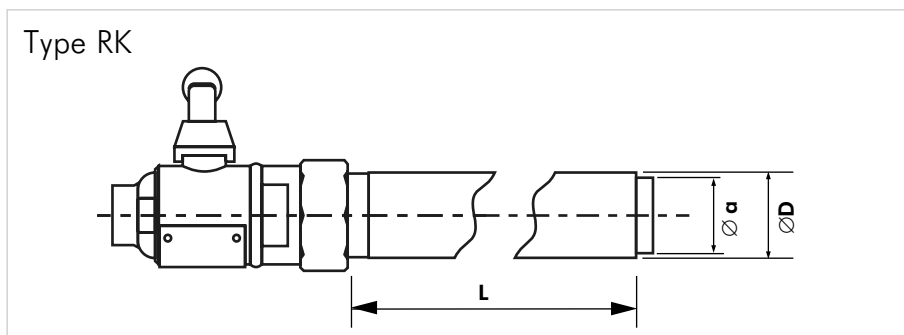




6.15

Tighten the hose clip  $\varnothing$  50–70 mm with a torque of max. 3 Nm.

## 7 Approved gas house lead-ins



Type	Nominal width [inches]	$\varnothing a$ [mm]	L [mm]	$\varnothing D$ [mm]
RK1	1	32	750/1150/1500	50
RK2	1	32	500/600/750/1000/1500	50

**Burger, Manufacturer:**  
 GmbH

Type RK1 and RK2  
 Burger Armaturen

## 8 Approved two-component expansion resin

In addition to the aforementioned Tangit M 3000 expansion resin, the following expansion resin is also approved:

- Büttig expansion resin system 308 based on PUR foam (cartridge size 150 ml).

The resin is injected as described above. **Please observe the manufacturer's notes!**





- Quadro-Secura® Quick/G  
for insertion of Burger gas house lead-ins DN25 (1 inch)

Doyma products are always subject to further development. Technical modifications are made without prior notice.  
DOYMA allows a 25 years guarantee. For more information see [www.doyma.com](http://www.doyma.com)

**DOYMA GmbH & Co**

SEALING SYSTEMS

FIRE PROTECTION SYSTEMS

Industriestr. 43-57  
28876 Oyten

Phone: + 49 (0) 42 07/91 66-300  
Fax: + 49 (0) 42 07/91 66-199

[www.doyma.de](http://www.doyma.de)  
[info@doyma.de](mailto:info@doyma.de)

25  
years  
guarantee

