
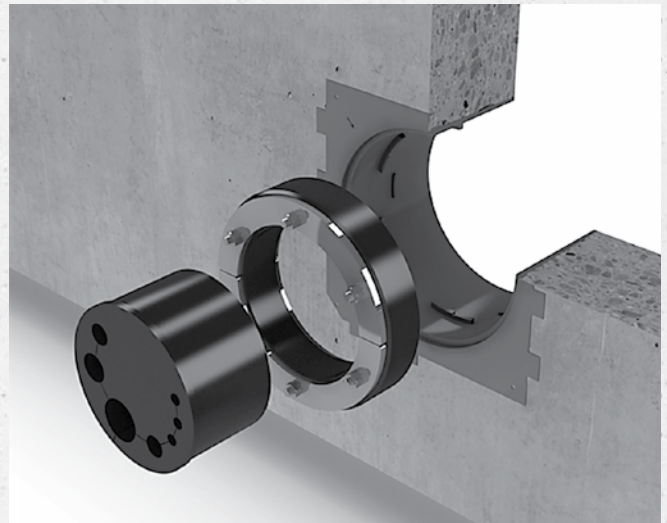


UGA BKD 150 system insert

 PRESSING WATER

- Use in existing flange sleeves and on-wall flange sealing collars on the connection side
- With anti-slip protection
- With replaceable interchangeable or onion ring insert



PRODUCT ADVANTAGES

- Easy installation
- Split version for installing after cables have been laid
- With bayonet catch mechanism to ensure that insert does not slip
- Interchangeable insert custom-made for your application
- Can also be used as plugged insert

TECHNICAL DETAILS

- All metal parts made of stainless steel 1.4301 (V2A), optionally also stainless steel 1.4571/1.4404 (V4A)
- Split version
- Leak-tight against gas and pressing water

PRODUCT SCOPE

- BKD 150 system insert 34 mm (gasket insert) made of EPDM
- Interchangeable insert 60 mm or onion ring insert 40 mm made of EPDM



System insert with interchangeable insert

| Product | Examples for max. utilisation* |
|------------------------------|---|
| BKD150-E-WE/V2A/EPDM (Z)x(D) | 3 × outer Ø 42 or 5 × outer Ø 34 or 9 × outer Ø 24 |

* Other combinations with different diameters are also possible.



System insert with onion ring insert

| Product | Cables | Outer diameter of cable | Outer diameter of cable |
|--|--------|------------------------------|-------------------------|
| BKD150-E-ZS/V2A/EPDM 3x(22-54) | 3 | 22–54 mm | 488 1 001 150 24 |
| BKD150-E-ZS/V2A/EPDM 6x(4-32) | 6 | 4–32 mm | 488 1 002 150 24 |
| BKD150-E-ZS/V2A/EPDM 9x(4-25) | 9 | 4–25 mm | 488 1 003 150 24 |
| BKD150-E-ZS/V2A/EPDM 4x(4-32) 6x(4-20) | 10 | 4 × 4–32 mm / 6 × 4–20 mm | 488 1 004 150 24 |

Individual onion ring inserts (optional)

| Product | Number of cables | Outer diameter of cable |
|--------------------|------------------|-------------------------|
| ZS/G/40/EPDM 22-54 | 1 | 22–54 mm |
| ZS/G/40/EPDM 4-20 | 1 | 4–20 mm |
| ZS/G/40/EPDM 4-25 | 1 | 4–25 mm |
| ZS/G/40/EPDM 4-32 | 1 | 4–32 mm |

The UGA range is excluded from the DOYMA 25-year warranty.

