
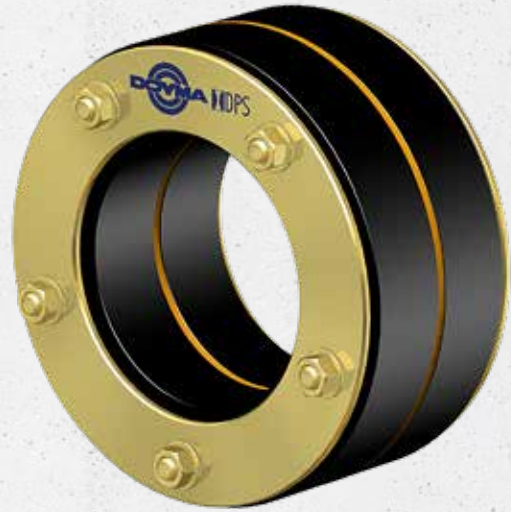


Curaflex® C

 PRESSING WATER

- Sealing of penetrations
- Use in **on-site pipe sleeve** or **waterproof concrete core bore** (white tank)



DOYMA
GRIP

DPS

Dichtigkeitsprüf.
G 30661
iro Oldenburg

Heliumtest
18-11-2008
INFRASERV

Schallschutz
2075/5673-DK-br
IBMB



RADON TIGHT
IAF GmbH

25
years
guarantee

PRODUCT ADVANTAGES

- Large sealing areas
- Permanently sealed – no need to re-tension later (maintenance-free)
- Greater sealing performance of the gasket insert thanks to DPS and DOYMA-Grip
- System component, without cuts or divisions, with water-tight welded bolts

TECHNICAL DETAILS

- Certified under FHRK test regulation GE 101 (no. G 30 322-2-2) - FHRK 57 LD10
- Gas and water-tight
- Radon-tight – according to FHRK information sheet MB101 meets the requirements for radon precautionary areas
- Bending of medium pipes up to 8° is possible
- Can accommodate axial movements
- Twin sealing

THE GASKET INSERT CONSISTS OF:

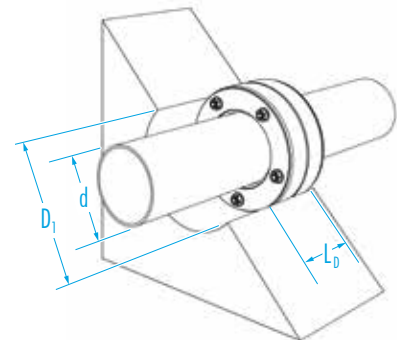
- **Frame rings:** asymmetrically profiled steel rings (DPS to KB/DN 350), GGV triple corrosion protection coating; optionally made of stainless steel 1.4301 (V2A) or 1.4571/1.4404 (V4A)
- **Rubber seal:** elastomer, 2 × 27 mm thick EPDM seals (DOYMA-Grip), optional EPDM-TW, NBR (fuel/oil-resistant) or silicone (high temperature-resistant) or FPM (chemical-resistant)
- 3 mm thick orange centre ring (up to KB/DN 350)



ACCESSORIES (OPTIONAL)*

- Aquagard core bore sealant

* see corresponding section



Curaflex® C

Inner diameter of pipe sleeve / core bore D _i [DN in mm]	Outer diameter of pipe / cable d [mm]	GGV Article number	V2A Article number	V4A Article number
50 (49 – 53)	7 – 12	1 03 0 012 050 0 0	1 03 0 012 050 2 0	1 03 0 012 050 4 0
	13 – 18	1 03 0 015 050 0 0	1 03 0 015 050 2 0	1 03 0 015 050 4 0
	19 – 24	1 03 0 020 050 0 0	1 03 0 020 050 2 0	1 03 0 020 050 4 0
80 (79 – 83)	7 – 13	1 03 0 012 080 0 0	1 03 0 012 080 2 0	1 03 0 012 080 4 0
	14 – 21	1 03 0 020 080 0 0	1 03 0 020 080 2 0	1 03 0 020 080 4 0
	22 – 28	1 03 0 025 080 0 0	1 03 0 025 080 2 0	1 03 0 025 080 4 0
	29 – 35	1 03 0 032 080 0 0	1 03 0 032 080 2 0	1 03 0 032 080 4 0
	36 – 40	1 03 0 040 080 0 0	1 03 0 040 080 2 0	1 03 0 040 080 4 0
100 (99 – 104)	41 – 45	1 03 0 042 100 0 0	1 03 0 042 100 2 0	1 03 0 042 100 4 0
	46 – 52	1 03 0 050 100 0 0	1 03 0 050 100 2 0	1 03 0 050 100 4 0
	53 – 57	1 03 0 056 100 0 0	1 03 0 056 100 2 0	1 03 0 056 100 4 0
125 (124 – 128)	58 – 67	1 03 0 063 125 0 0	1 03 0 063 125 2 0	1 03 0 063 125 4 0
	68 – 77	1 03 0 075 125 0 0	1 03 0 075 125 2 0	1 03 0 075 125 4 0
150 (149 – 153)	78 – 85	1 03 0 078 150 0 0	1 03 0 078 150 2 0	1 03 0 078 150 4 0
	86 – 94	1 03 0 090 150 0 0	1 03 0 090 150 2 0	1 03 0 090 150 4 0
	95 – 104	1 03 0 098 150 0 0	1 03 0 098 150 2 0	1 03 0 098 150 4 0
200 (199 – 204)	105 – 115	1 03 0 110 200 0 0	1 03 0 110 200 2 0	1 03 0 110 200 4 0
	116 – 124	1 03 0 118 200 0 0	1 03 0 118 200 2 0	1 03 0 118 200 4 0
	125 – 135	1 03 0 125 200 0 0	1 03 0 125 200 2 0	1 03 0 125 200 4 0
	136 – 145	1 03 0 140 200 0 0	1 03 0 140 200 2 0	1 03 0 140 200 4 0
250 (247 – 253)	146 – 156	1 03 0 148 250 0 0	1 03 0 148 250 2 0	1 03 0 148 250 4 0
	157 – 165	1 03 0 160 250 0 0	1 03 0 160 250 2 0	1 03 0 160 250 4 0
	166 – 172	1 03 0 170 250 0 0	1 03 0 170 250 2 0	1 03 0 170 250 4 0
	173 – 179	1 03 0 175 250 0 0	1 03 0 175 250 2 0	1 03 0 175 250 4 0
	180 – 186	1 03 0 180 250 0 0	1 03 0 180 250 2 0	1 03 0 180 250 4 0
	187 – 190	1 03 0 190 250 0 0	1 03 0 190 250 2 0	1 03 0 190 250 4 0
300 (297 – 304)	191 – 197	1 03 0 196 300 0 0	1 03 0 196 300 2 0	1 03 0 196 300 4 0
	198 – 207	1 03 0 200 300 0 0	1 03 0 200 300 2 0	1 03 0 200 300 4 0
	208 – 215	1 03 0 210 300 0 0	1 03 0 210 300 2 0	1 03 0 210 300 4 0
	216 – 224	1 03 0 222 300 0 0	1 03 0 222 300 2 0	1 03 0 222 300 4 0
	225 – 233	1 03 0 225 300 0 0	1 03 0 225 300 2 0	1 03 0 225 300 4 0
350 (347 – 354)	234 – 240	1 03 0 240 350 0 0	1 03 0 240 350 2 0	1 03 0 240 350 4 0
	241 – 249	1 03 0 242 350 0 0	1 03 0 242 350 2 0	1 03 0 242 350 4 0
	250 – 259	1 03 0 250 350 0 0	1 03 0 250 350 2 0	1 03 0 250 350 4 0
	260 – 269	1 03 0 265 350 0 0	1 03 0 265 350 2 0	1 03 0 265 350 4 0
	270 – 278	1 03 0 273 350 0 0	1 03 0 273 350 2 0	1 03 0 273 350 4 0
	279 – 288	1 03 0 280 350 0 0	1 03 0 280 350 2 0	1 03 0 280 350 4 0
400 (397 – 404)	289 – 294	1 03 0 290 400 0 0	1 03 0 290 400 2 0	1 03 0 290 400 4 0
	295 – 300	1 03 0 296 400 0 0	1 03 0 296 400 2 0	1 03 0 296 400 4 0
	301 – 306	1 03 0 306 400 0 0	1 03 0 306 400 2 0	1 03 0 306 400 4 0
	307 – 311	1 03 0 310 400 0 0	1 03 0 310 400 2 0	1 03 0 310 400 4 0
	312 – 317	1 03 0 315 400 0 0	1 03 0 315 400 2 0	1 03 0 315 400 4 0
	318 – 322	1 03 0 320 400 0 0	1 03 0 320 400 2 0	1 03 0 320 400 4 0
	323 – 327	1 03 0 323 400 0 0	1 03 0 323 400 2 0	1 03 0 323 400 4 0
	328 – 333	1 03 0 328 400 0 0	1 03 0 328 400 2 0	1 03 0 328 400 4 0
450 (447 – 454)	334 – 339	1 03 0 336 400 0 0	1 03 0 336 400 2 0	1 03 0 336 400 4 0
	340 – 344	1 03 0 340 450 0 0	1 03 0 340 450 2 0	1 03 0 340 450 4 0
	345 – 350	1 03 0 350 450 0 0	1 03 0 350 450 2 0	1 03 0 350 450 4 0
	351 – 356	1 03 0 355 450 0 0	1 03 0 355 450 2 0	1 03 0 355 450 4 0
	357 – 362	1 03 0 362 450 0 0	1 03 0 362 450 2 0	1 03 0 362 450 4 0
	363 – 368	1 03 0 368 450 0 0	1 03 0 368 450 2 0	1 03 0 368 450 4 0
	369 – 370	1 03 0 370 450 0 0	1 03 0 370 450 2 0	1 03 0 370 450 4 0
	371 – 375	1 03 0 375 450 0 0	1 03 0 375 450 2 0	1 03 0 375 450 4 0
500 (497 – 503)	376 – 380	1 03 0 380 450 0 0	1 03 0 380 450 2 0	1 03 0 380 450 4 0
	381 – 386	1 03 0 386 500 0 0	1 03 0 386 500 2 0	1 03 0 386 500 4 0
	387 – 392	1 03 0 392 500 0 0	1 03 0 392 500 2 0	1 03 0 392 500 4 0
	393 – 397	1 03 0 397 500 0 0	1 03 0 397 500 2 0	1 03 0 397 500 4 0
	398 – 403	1 03 0 400 500 0 0	1 03 0 400 500 2 0	1 03 0 400 500 4 0
	404 – 409	1 03 0 406 500 0 0	1 03 0 406 500 2 0	1 03 0 406 500 4 0
	410 – 415	1 03 0 410 500 0 0	1 03 0 410 500 2 0	1 03 0 410 500 4 0
	416 – 420	1 03 0 420 500 0 0	1 03 0 420 500 2 0	1 03 0 420 500 4 0
421 – 425	1 03 0 425 500 0 0	1 03 0 425 500 2 0	1 03 0 425 500 4 0	
426 – 430	1 03 0 429 500 0 0	1 03 0 429 500 2 0	1 03 0 429 500 4 0	

L₀ (max. design length) [mm]: 95

Further material combinations and dimensions available upon request.

