


Curaflex® C/M/T

 PRESSING WATER

- Sealing of penetrations
- Use in **on-site pipe sleeve** or **waterproof concrete core bore** (white tank)
- For **multiple pipes**
- Split version, for **pipes that are already installed**



DOYMA
GRIP



RADON TIGHT
IAF GmbH

25
years
guarantee

PRODUCT ADVANTAGES

- Permanently sealed – no need to re-tension later (maintenance-free)
- Greater sealing performance of the gasket insert thanks to DOYMA-Grip
- Water-tight welded bolts
- For retrofitting around existing pipes

TECHNICAL DETAILS

- Certified under FHRK test regulation GE 101 (no. G 30 322-2-2) - FHRK 57 LD10
- Gas and water-tight
- Radon-tight – according to FHRK information sheet MB101 meets the requirements for radon precautionary areas
- Bending of medium pipes up to 8° is possible
- Can accommodate axial movements
- Twin sealing
- Split version

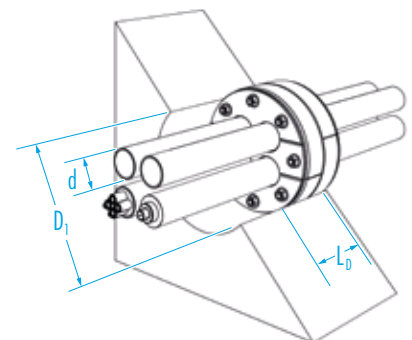
THE GASKET INSERT CONSISTS OF:

- **Split frame rings:** steel rings, GGV triple corrosion protection coating; optionally made of stainless steel 1.4301 (V2A) or 1.4571/1.4404 (V4A)
- **Split rubber seal:** elastomer, 2 × 27 mm thick EPDM seals (DOYMA-Grip), optional EPDM-TW, NBR (fuel/oil-resistant) or silicone (high temperature-resistant) or FPM (chemical-resistant)
- 3 mm thick orange centre ring (up to KB/DN 350))



ACCESSORIES (OPTIONAL)*

- Aquagard core bore sealant
- * see corresponding section



Curaflex® C/M/T

Outer diameter of pipe / cable* d [mm]	Number of pipes	Inner diameter of pipe sleeve / core bore D _i [DN in mm]
5 – 21	1 – 3	80 (79 – 83)
5 – 37	1 – 2	100 (99 – 104)
5 – 26	1 – 4	
1 x 18 – 36 / 2 x 8 – 16	1 – 3	
1 x 8 – 22 / 4 x 8 – 16	1 – 5	
5 – 32	1 – 4	125 (124 – 128)
25 – 41	1 – 3	
2 x 5 – 46 / 2 x 5 – 36	1 – 4	150 (149 – 153)
15 – 31	1 – 9	200 (199 – 204)
L _y (max. design length) [mm] 90		

*The precise outer diameter and number of pipes must be specified in your order.
No article numbers. Further material combinations and dimensions available upon request.