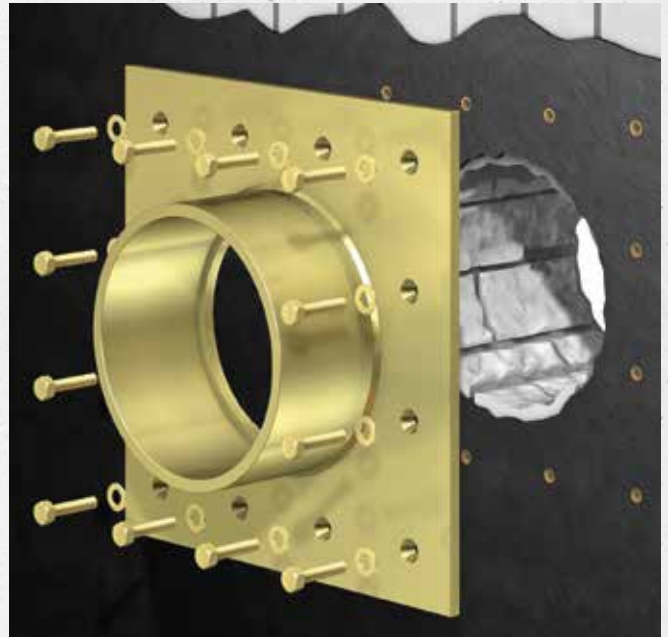


Curaflex® 8000 with butyl sealing tape

NON-PRESSING WATER

- Flange plate with sleeve for duct systems
- Use **in front of the wall**
- For **existing thick coating** (black tank)
- Ideal for **renovations**

25
years
guarantee



PRODUCT ADVANTAGES

- Sealing on the existing hardened thick coating
- Sealing in front of the wall (condition of the bore not relevant)
- Suitable for duct systems without a suitable core bore or pipe sleeve
- Optimally designed inner wall for holding the DOYMA sealing systems

TECHNICAL DETAILS

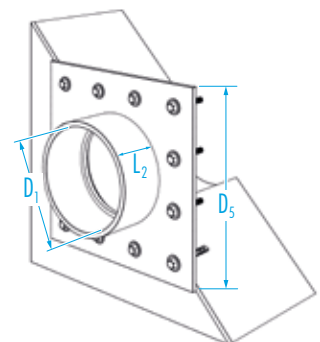
- Radon proof – according to FHRK information sheet MB101
- For pipes and cables that are already installed (variant T)
- Suitable for non-pressing water

MATERIAL

- Steel, GGV triple corrosion protection coating; optionally made of stainless steel 1.4301 (V2A) or 1.4571 / 1.4404 (V4A)
- Delivery includes fixing material for solid walls and butyl sealing tape (1753)



Variant: Curaflex® 8000/T pipe sleeve – split pipe sleeve. For installation with an existing duct.



Curaflex® 8000

Inner diameter of pipe sleeve D ₁ [DN in mm]	Outer diameter / edge length of the fixed flange D ₂ max. [mm]	GGV/butyl Article number
80	260	1 80 0 080 000 3 0
100	280	1 80 0 100 000 3 0
125	300	1 80 0 125 000 3 0
150	330	1 80 0 150 000 3 0
200	380	1 80 0 200 000 3 0
250	430	1 80 0 250 000 3 0
300	480	1 80 0 300 000 3 0
350	530	1 80 0 350 000 3 0
400	580	1 80 0 400 000 3 0
450	630	1 80 0 450 000 3 0
500	680	1 80 0 500 000 3 0
600	780	—
700	880	—

L₂ (length of pipe socket) [mm]: 110

Further material combinations and dimensions available upon request.

Curaflex® 8000/T

Inner diameter of pipe sleeve D ₁ [DN in mm]	Outer diameter / edge length of the fixed flange D ₂ max. [mm]	GGV/butyl Article number
80	260	1 80 0 080 000 3 8
100	280	1 80 0 100 000 3 8
125	300	1 80 0 125 000 3 8
150	330	1 80 0 150 000 3 8
200	380	1 80 0 200 000 3 8
250	430	1 80 0 250 000 3 8
300	480	1 80 0 300 000 3 8
350	530	1 80 0 350 000 3 8
400	580	1 80 0 400 000 3 8
450	630	1 80 0 450 000 3 8
500	680	1 80 0 500 000 3 8
600	780	—
700	880	—

L₂ (length of pipe socket) [mm]: 110

Further material combinations and dimensions available upon request.