

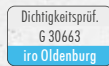
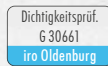
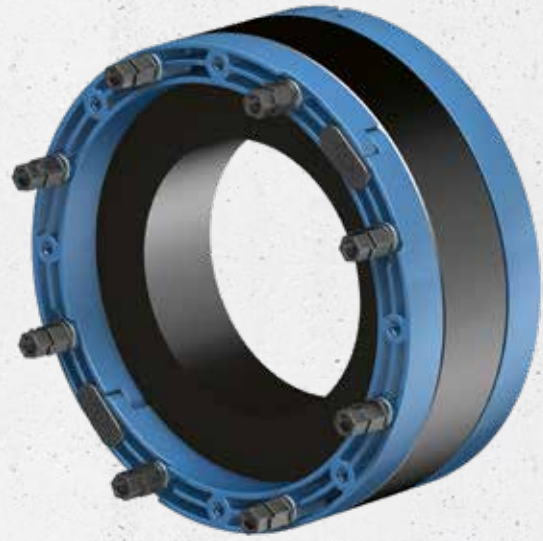


Curaflex Nova[®] Uno

 NON-PRESSING WATER
 PRESSING WATER

- Sealing of penetrations
- Use in **on-site pipe sleeve** or **waterproof concrete core bore** (white tank)



PRODUCT ADVANTAGES

- With ITL system for optimal contact pressure – can also be installed with a cordless screwdriver
- Permanently sealed – no need to re-tension later (maintenance-free)
- Greater sealing performance of the gasket insert thanks to DOYMA-Grip

TECHNICAL DETAILS

- Certified under FHRK test regulation GE 101 (no. G 30 322-2-5) - FHRK 40 LD10
- Gas and water-tight
- Bending of medium pipes up to 8° is possible
- Can accommodate axial movements
- 40 mm sealing width

THE GASKET INSERT CONSISTS OF:

- Blue frame rings made of high-performance plastic
- Elastomer sealing ring, 40 mm wide, made of EPDM (DOYMA-Grip), optional NBR (fuel/oil-resistant)
- ITL nuts
- A4 stainless steel screws



SMART DOYMA PLATFORM

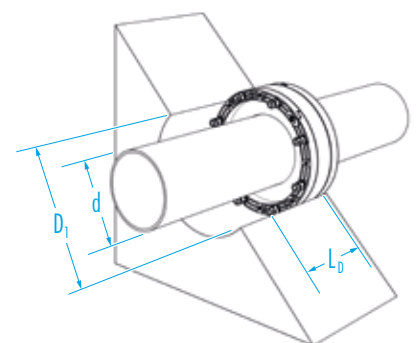
Simply scan and get detailed information!



ACCESSORIES (OPTIONAL)*

- Aquagard core bore sealant
- Fixing tabs
- ITL nut set

* see corresponding section



Curaflex Nova® Uno

Inner diameter of pipe sleeve/core bore D _i [DN in mm]	Outer diameter of pipe/cable d [mm]	Article number
80 (79 – 83)	5 – 8	1 88 1 008 080 4 0
	9 – 12	1 88 1 012 080 4 0
	13 – 16	1 88 1 015 080 4 0
	17 – 20	1 88 1 020 080 4 0
	21 – 24	1 88 1 022 080 4 0
	25 – 29	1 88 1 025 080 4 0
	30 – 35	1 88 1 032 080 4 0
	36 – 40	1 88 1 040 080 4 0
100 (99 – 104)	5 – 8	1 88 1 008 100 4 0
	9 – 12	1 88 1 012 100 4 0
	13 – 16	1 88 1 015 100 4 0
	17 – 20	1 88 1 020 100 4 0
	21 – 24	1 88 1 022 100 4 0
	25 – 29	1 88 1 025 100 4 0
	30 – 35	1 88 1 032 100 4 0
	40 – 45	1 88 1 040 100 4 0
	46 – 52	1 88 1 050 100 4 0
	53 – 57	1 88 1 056 100 4 0
	58 – 63	1 88 1 063 100 4 0
150 (149 – 153)	63 – 68	1 88 1 063 150 4 0
	73 – 78	1 88 1 075 150 4 0
	87 – 92	1 88 1 090 150 4 0
	98 – 104	1 88 1 098 150 4 0
	105 – 112	1 88 1 110 150 4 0
200 (199 – 203)	108 – 113	1 88 1 110 200 4 0
	114 – 118	1 88 1 118 200 4 0
	124 – 128	1 88 1 125 200 4 0
	132 – 135	1 88 1 135 200 4 0
	139 – 144	1 88 1 140 200 4 0
	145 – 150	1 88 1 148 200 4 0
	154 – 160	1 88 1 160 200 4 0
250 (249 – 253)	158 – 161	1 88 1 160 250 4 0
	162 – 163	1 88 1 163 250 4 0
	164 – 169	1 88 1 168 250 4 0
	170 – 174	1 88 1 170 250 4 0
	175 – 180	1 88 1 180 250 4 0
	198 – 201	1 88 1 200 250 4 0
300 (299 – 303)	198 – 201	1 88 1 200 300 4 0
	209 – 212	1 88 1 210 300 4 0
	215 – 220	1 88 1 219 300 4 0
	221 – 225	1 88 1 225 300 4 0

L₀ (max. design length) [mm]: 100