

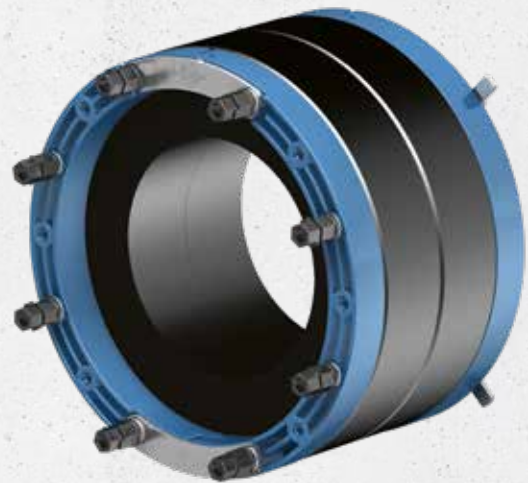




# Curaflex Nova<sup>®</sup> Uno/breit

 NON-PRESSING WATER  
 PRESSING WATER

- Sealing of penetrations
- Use in **waterproof concrete core bore** (white tank)
- Ideal for **twin/element walls**



## PRODUCT ADVANTAGES

- With ITL system for optimal contact pressure – can also be installed with a cordless screwdriver
- Permanently sealed – no need to re-tension later (maintenance-free)
- Greater sealing performance of the gasket insert thanks to DOYMA-Grip
- Wide rubber seal covers prefabricated concrete shell and core concrete
- Clear positioning thanks to fixing tabs (included in the scope of delivery)

## TECHNICAL DETAILS

- Certified under FHRK test regulation GE 101 (no. G 30 322-2-5) - FHRK 80 LD10
- Gas and water-tight
- Bending of medium pipes up to 8° is possible
- Can accommodate axial movements
- 80 mm sealing width

## THE GASKET INSERT CONSISTS OF:

- V4A stainless steel hinge bracket
- ITL nuts
- A4 stainless steel screws
- 4 fixing tabs including V2A stainless steel screws



### SMART DOYMA PLATFORM

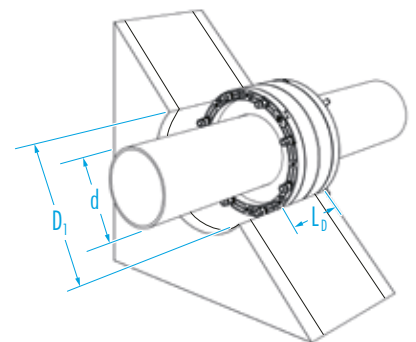
Simply scan and get detailed information!



### ACCESSORIES (OPTIONAL)\*

- Aquagard core bore sealant
- ITL nut set

\* see corresponding section



## Curaflex Nova® Uno/breit

Inner diameter of pipe sleeve/core bore D <sub>i</sub> [DN in mm]	Outer diameter of pipe/cable d [mm]	Article number
80 (79 – 83)	5 – 8	1 88 4 008 080 4 0
	9 – 12	1 88 4 012 080 4 0
	13 – 16	1 88 4 015 080 4 0
	17 – 20	1 88 4 020 080 4 0
	21 – 24	1 88 4 022 080 4 0
	25 – 29	1 88 4 025 080 4 0
	30 – 35	1 88 4 032 080 4 0
	36 – 40	1 88 4 040 080 4 0
100 (99 – 104)	5 – 8	1 88 4 008 100 4 0
	9 – 12	1 88 4 012 100 4 0
	13 – 16	1 88 4 015 100 4 0
	17 – 20	1 88 4 020 100 4 0
	21 – 24	1 88 4 022 100 4 0
	25 – 29	1 88 4 025 100 4 0
	30 – 35	1 88 4 032 100 4 0
	40 – 45	1 88 4 040 100 4 0
	46 – 52	1 88 4 050 100 4 0
	53 – 57	1 88 4 056 100 4 0
	58 – 63	1 88 4 063 100 4 0
150 (149 – 153)	63 – 68	1 88 4 063 150 4 0
	73 – 78	1 88 4 075 150 4 0
	87 – 92	1 88 4 090 150 4 0
	98 – 104	1 88 4 098 150 4 0
	105 – 112	1 88 4 110 150 4 0
200 (199 – 203)	108 – 113	1 88 4 110 200 4 0
	114 – 118	1 88 4 118 200 4 0
	124 – 128	1 88 4 125 200 4 0
	132 – 135	1 88 4 135 200 4 0
	139 – 144	1 88 4 140 200 4 0
	145 – 150	1 88 4 148 200 4 0
	154 – 160	1 88 4 160 200 4 0
250 (249 – 253)	158 – 161	1 88 4 160 250 4 0
	162 – 163	1 88 4 163 250 4 0
	164 – 169	1 88 4 168 250 4 0
	170 – 174	1 88 4 170 250 4 0
	175 – 180	1 88 4 180 250 4 0
	198 – 201	1 88 4 200 250 4 0
300 (299 – 303)	198 – 201	1 88 4 200 300 4 0
	209 – 212	1 88 4 210 300 4 0
	215 – 220	1 88 4 219 300 4 0
	221 – 225	1 88 4 225 300 4 0

L<sub>0</sub> (max. design length) [mm]: 140